



MENGI 4/4 60 YEARS

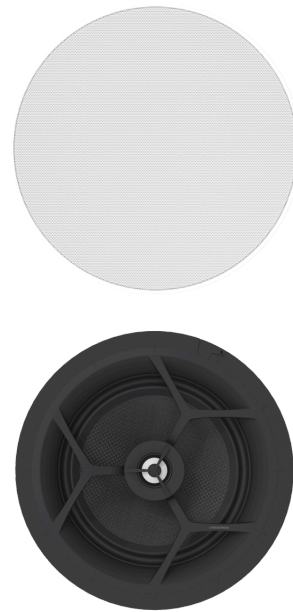
 OMS
INTERNATIONAL SERVICES

NB 117 ENTERTAINMENT SYSTEMS

AUDIO – VIDEO SYSTEMS

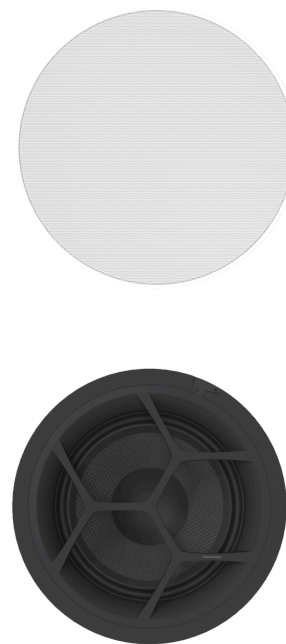
NB 117 ENTERTAINMENT SYSTEMS

EQUIPMENTS- SPEAKERS



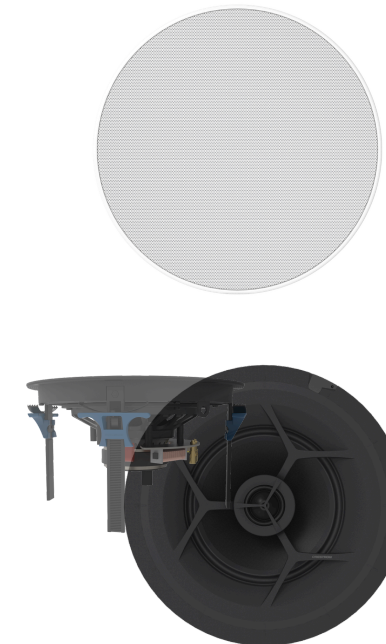
CRESTRON ULTIMATE IC8-AW-W-T-EACH

- Audiophile performance 2-way all weather in-ceiling speaker
- 8 in. (203 mm) carbon fiber woofer
- 1 in. (25 mm) steerable, ceramic-coated aluminum tweeter
- IP66 rated for particle and water protection
- Twist and lock toolless bayonet mounting system
- 150 W (Program), and 300 W (Peak) power handling
- 45 Hz to 30 kHz (± 3 dB) frequency response
- 8 Ohms nominal impedance
- Various grille options
- Installation friendly low profile with 4.63 in. (118 mm) depth



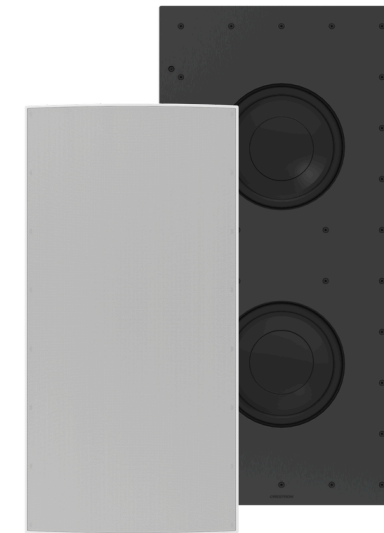
CRESTRON ULTIMATE ICS8-AW-W-T-EACH

- Audiophile performance in-ceiling subwoofer
- 8 in. (203 mm) carbon fiber woofer
- IP66 rated for particle and water protection
- Twist and lock toolless bayonet mounting system
- 200 W (Program), and 400 W (Peak) power handling
- 45 Hz to 175 Hz (± 3 dB) frequency response
- 8 Ohms nominal impedance
- Various grille options
- Installation friendly low profile with 4.72 in. (120 mm) depth
- Perfect for Marine applications



CRESTRON REFERENCE IC6-W-T-EACH

- Audiophile performance 2-way in-ceiling speaker
- 6.5 in. (165 mm) woven glass fiber woofer
- 1 in. (25 mm) Silk DPSD™ steerable tweeter
- Twist and lock toolless bayonet mounting system
- 100 W (Program), and 200 W (Peak) power handling
- 60 Hz to 20 kHz (± 3 dB) frequency response
- 8 Ohms nominal impedance
- Various grille options
- Installation friendly low profile with 3.58 in. (91 mm) depth



CRESTRON ULTIMATE IWS82-AW-W-T-EACH

- Audiophile performance in-wall subwoofer
- 8 in. (203 mm) aluminum active and 8 in. (203 mm) aluminum passive radiator woofers
- In-wall dog ear mounting system
- IP66 rated for dust and water, weatherized construction
- 200 W (Program), and 400 W (Peak) power handling
- 35 Hz to 175 Hz (± 3 dB) frequency response
- 8 Ohms nominal impedance
- Various grille options
- Perfect for Marine applications

NB 117 ENTERTAINMENT SYSTEMS

EQUIPMENTS- TV



Samsung - 43U8000

- 43-inch Crystal UHD 4K display (3840 × 2160 resolution)
- Crystal Processor 4K for enhanced picture quality and upscaling
- HDR and HDR10+ support for improved contrast and color
- 20 W 2-channel audio system with Object Tracking Sound Lite
- Smart TV powered by Samsung Tizen operating system
- Built-in Wi-Fi, Bluetooth, HDMI, USB, and Ethernet connectivity
- Integrated satellite receiver and Game Mode support



TCL-32SK

- 32-inch LED display
- Full HD resolution (1920 × 1080)
- Smart TV with Google TV operating system
- Built-in Wi-Fi and Bluetooth connectivity
- HDR support for enhanced picture quality
- Dolby Audio sound technology
- Multiple connectivity ports including HDMI and USB
- Slim and modern design suitable for compact spaces



Samsung- 85Q70D

- 85Q70D is an 85-inch 4K Smart QLED TV designed for large-screen home entertainment with vibrant colors, AI image processing, and smart connectivity.
- Screen Size: 85 inch (216 cm)
- Resolution: 4K Ultra HD (3840 × 2160)
- Display Technology: QLED with Quantum Dot
- Refresh Rate: Up to 120 Hz
- Processor: Quantum Processor 4K with AI upscaling
- HDR: Quantum HDR, HDR10+ support
- Operating System: Tizen Smart TV
- Connectivity: Wi-Fi, Bluetooth, 4 × HDMI, USB
- Audio Output: 20 W speakers

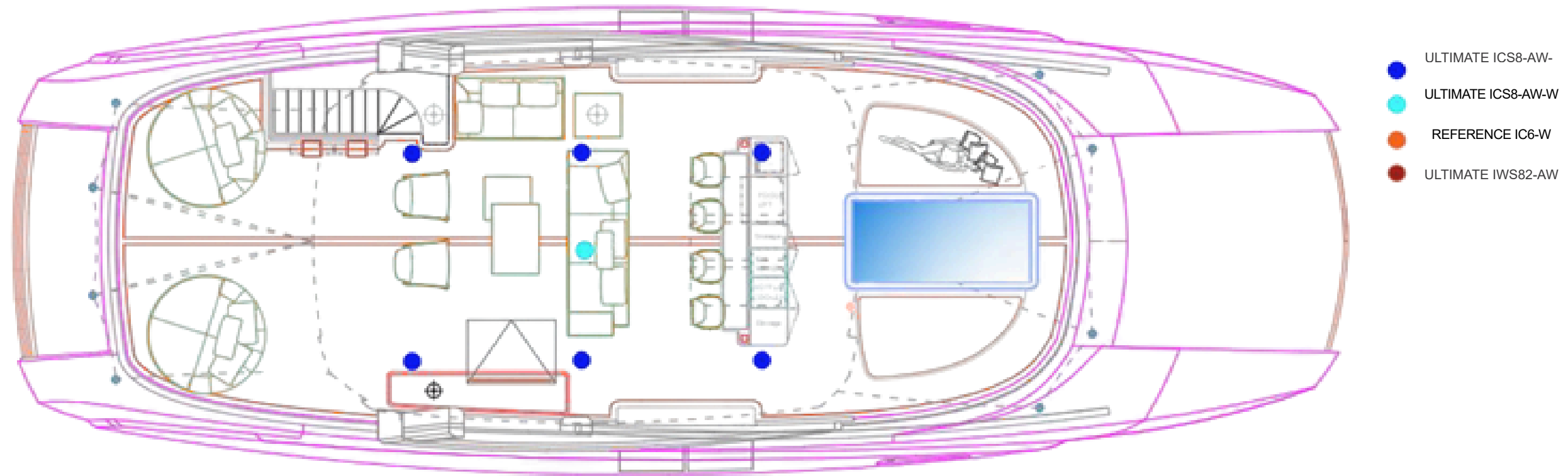


SAMSUNG 55Q70D

- Screen Size: 55 inch (≈138–140 cm)
- Resolution: 4K Ultra HD (3840 × 2160)
- Display Technology: QLED (Quantum Dot)
- Operating System: Tizen Smart TV
- Connectivity: Wi-Fi, Bluetooth, 4 × HDMI, USB
- Audio Output: 20 W speakers

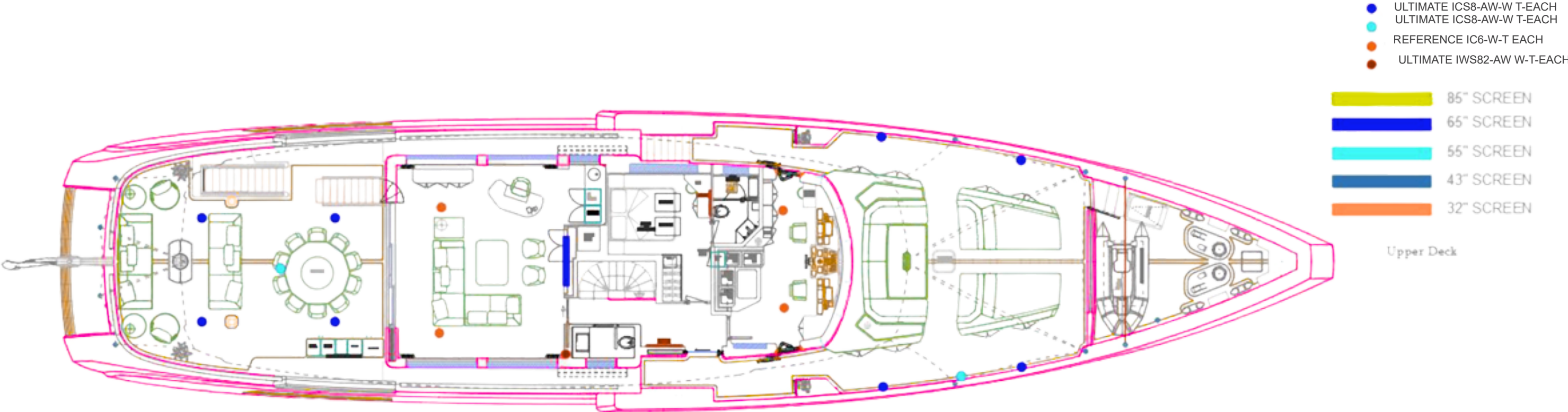
NB 117 ENTERTAINMENT SYSTEMS

SPEAKER LAYOUT-SUN DECK



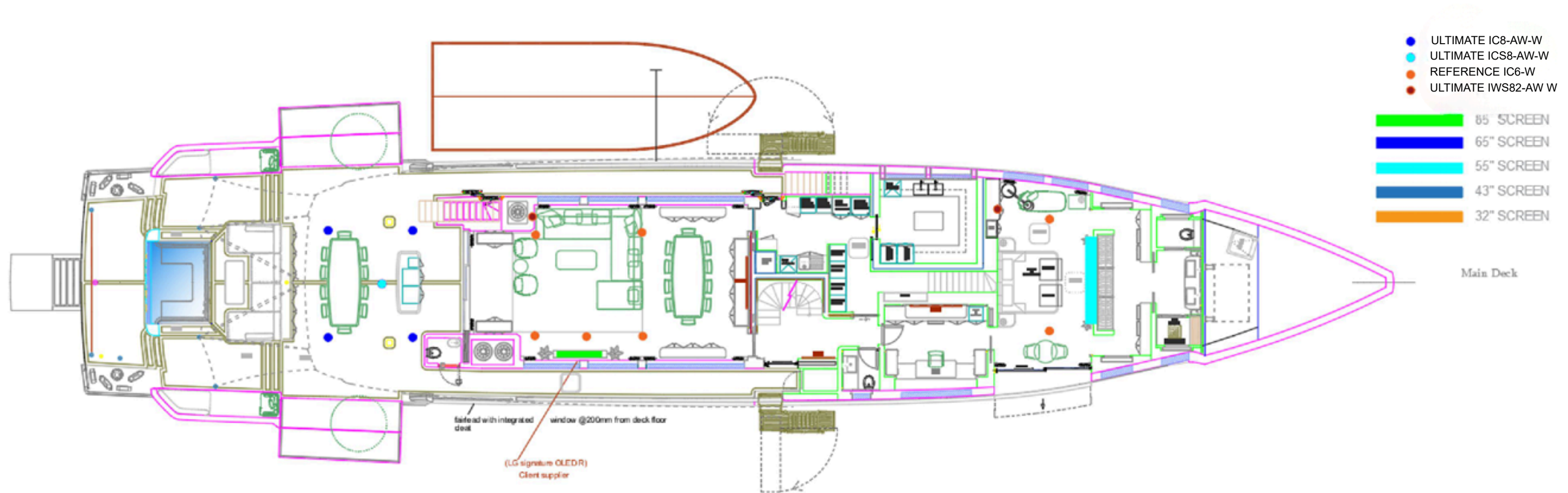
NB 117 ENTERTAINMENT SYSTEMS

SPEAKER LAYOUT-UPPER DECK



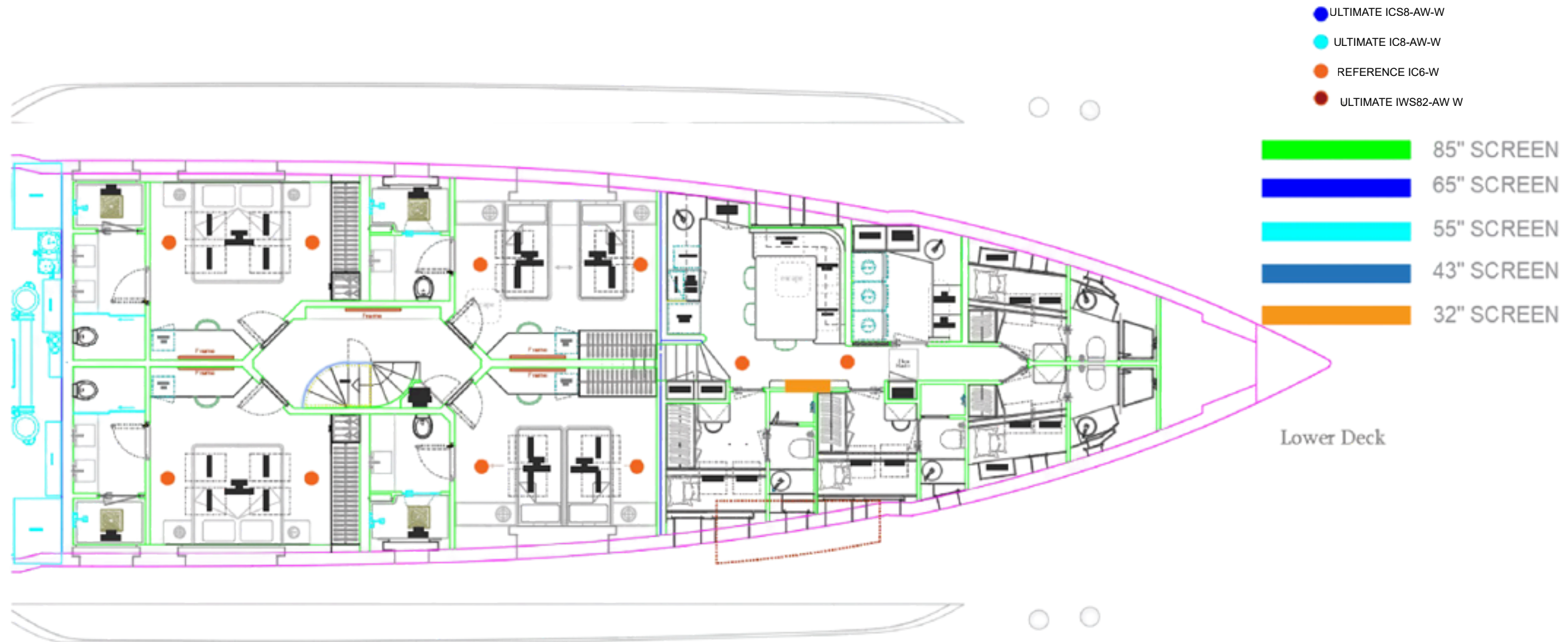
NB 117 ENTERTAINMENT SYSTEMS

SPEAKER LAYOUT-MAIN DECK



NB 117 ENTERTAINMENT SYSTEMS

SPEAKER LAYOUT-LOWER DECK



NB 117 ENTERTAINMENT SYSTEMS

EQUIPMENTS-NETWORK & GSM ANTENNA



Peplink - MAX-BRI-PRO-5GN-T-PRM

- 1x 5G modem
- Dual SIM support
- Wi-Fi 6 (2.4 GHz / 5 GHz)
- 2x2 MU-MIMO
- 1 Gbps router throughput
- 1x Ethernet WAN (can also function as LAN)
- 2x Gigabit LAN ports
- 4x 5G/LTE antennas
- 2x Wi-Fi antennas
- 1x GPS antenna
- VPN and SD-WAN support
- Built-in GPS
- Industrial metal enclosure



Peplink ANT-MR-40G-S-W-6

- Peplink ANT-MR-40G-S-W-6 is a maritime-grade external antenna designed for Peplink routers to provide stable 5G/LTE connectivity and GPS positioning in mobile environments such as boats and vehicles.
- Antenna Type: 5G / LTE Maritime Antenna
- MIMO: 4x4 MIMO
- Elements: 4x LTE/5G + 1x GPS
- Frequency Range: 410 – 6000 MHz
- Connector: SMA Male
- Cable Length: 2 m
- Protection: IP68
- Operating Temperature: -40°C to 80°C



STARLINK FLAT HIGH PERFORMANCE KIT

- Starlink Flat High Performance Kit is a satellite internet system designed for high-performance connectivity in mobile and harsh environments such as vehicles, boats, and enterprise networks.
- Antenna Type: Electronic Phased Array
- Field of View: 140°
- Environmental Rating: IP56
- Operating Temperature: -30°C to 50°C
- Wind Resistance: up to 280 km/h
- Average Power Consumption: 110-150 W
- Weight: 5.9 kg
- Mount: Wedge Mount included



Ruijie RG-NBS3100-24GT4SFP-P

- RG-NBS3100-24GT4SFP-P is a cloud-managed Layer 2 Gigabit PoE switch designed for enterprise networks such as offices, hotels, and surveillance systems.
- Ports: 24 x 10/100/1000 Mbps PoE+ Ethernet
- Uplink: 4 x 1G SFP ports
- PoE Standard: IEEE 802.3af / 802.3at
- PoE Power Budget: 370 W
- Switching Capacity: 56 Gbps
- MAC Address Table: 8K
- Management: Web, Ruijie Cloud
- Operating Temperature: 0°C – 50°C



RUIJIE RG-NBS3100-24GT4SFP

- RG-NBS3100-24GT4SFP is a cloud-managed Layer 2 Gigabit switch designed for enterprise networks such as offices, hotels, and surveillance systems.
- Ports: 24 x 10/100/1000 Mbps Ethernet
- Uplink: 4 x 1G SFP ports
- Switching Capacity: 56 Gbps
- Forwarding Rate: ~41 Mpps
- MAC Address Table: 8K
- Maximum VLANs: 4094
- Management: Web, Ruijie Cloud
- Operating Temperature: 0°C – 50°C



Ruijie RG-EW3200GX PRO

- Wi-Fi 6 (802.11ax)
- AX3200 – Up to 3200 Mbps
- 2.4 GHz: 800 Mbps | 5 GHz: 2402 Mbps
- Dual-Band (2.4 GHz & 5 GHz)
- 8 External Antennas
- Ports: 1xWAN, 4xLAN (Gigabit)
- MU-MIMO • OFDMA • Beamforming • 1024-QAM
- Mesh Support (Reyee Mesh)
- Wide Coverage – Medium/Large Spaces
- Multi-Device Support
- App Control (Ruijie Cloud)
- VPN & IPv6
- Router / Access Point Modes
- 190x190x41 mm • ≤36W

NB 117 ENTERTAINMENT SYSTEMS

STARLINK ANTENNA



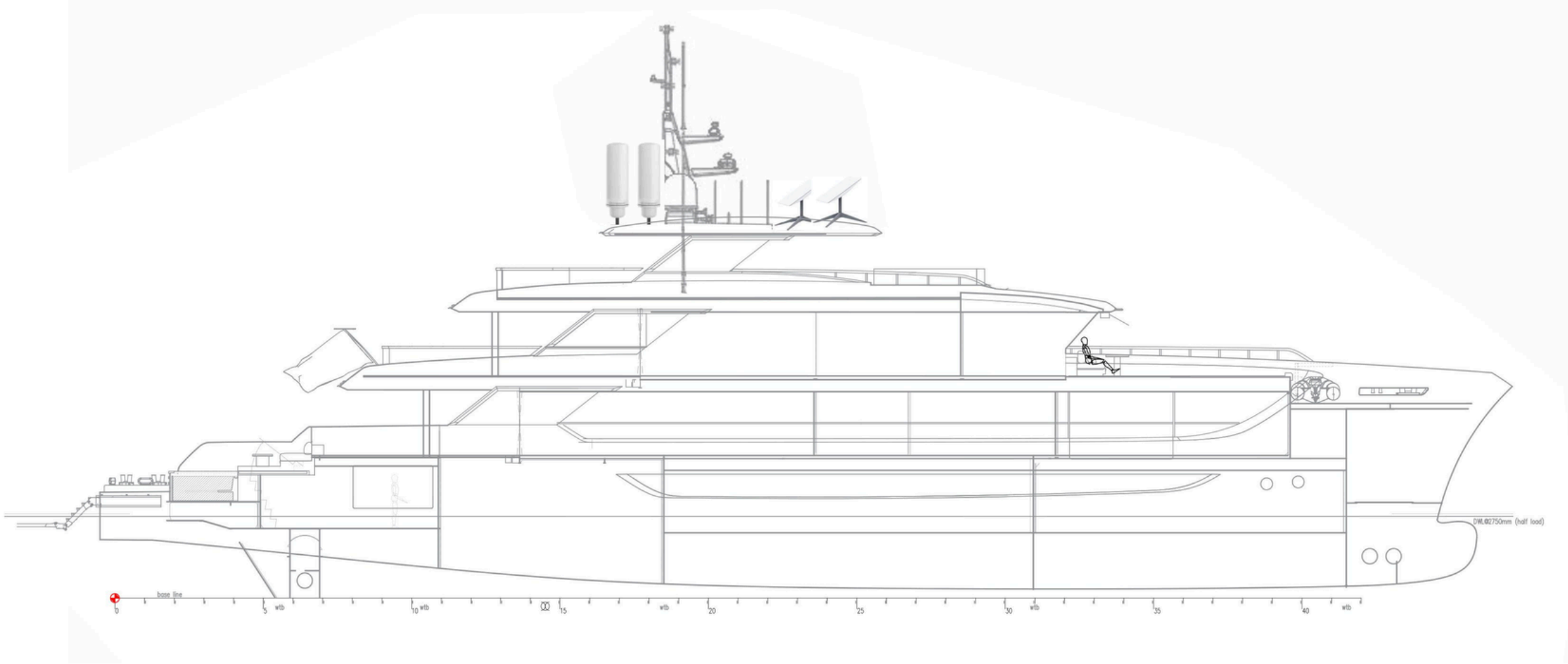
STARLINK Antenna

Antenna Electronic Phased Array
Field of View 110 ° Orientation
Software Assisted Manual Orienting
Weight 2.9 kg (6.4 lb), 3.2 kg (7 lb)
with Kickstand Environmental Rating
IP67 Type 4 Operating Temperature -
30°C to 50°C (-22°F to 122°F) Wind
Speed Operational: 96 kph+ (60
mph+) Snow Melt Capability Up to 40
mm / hour (1.5 in / hour) Power
Consumption Average: 75 - 100 W
Product Dimensions 43.4 x 298.6 x
120.4 mm (1.7 in x 11.76 in x 4.74 in)
Wi-Fi Technology 802.11
a/b/g/n/ac/ax Generation Wi-Fi 6
Radio Tri Band 4 x 4 MU-MIMO
Ethernet Ports Two (2) Latching
Ethernet LAN ports with removable
cover Coverage Up to 297 m² (3,200
ft²) Operating Temperature -30°C to
50°C (-22°F to 122°F)



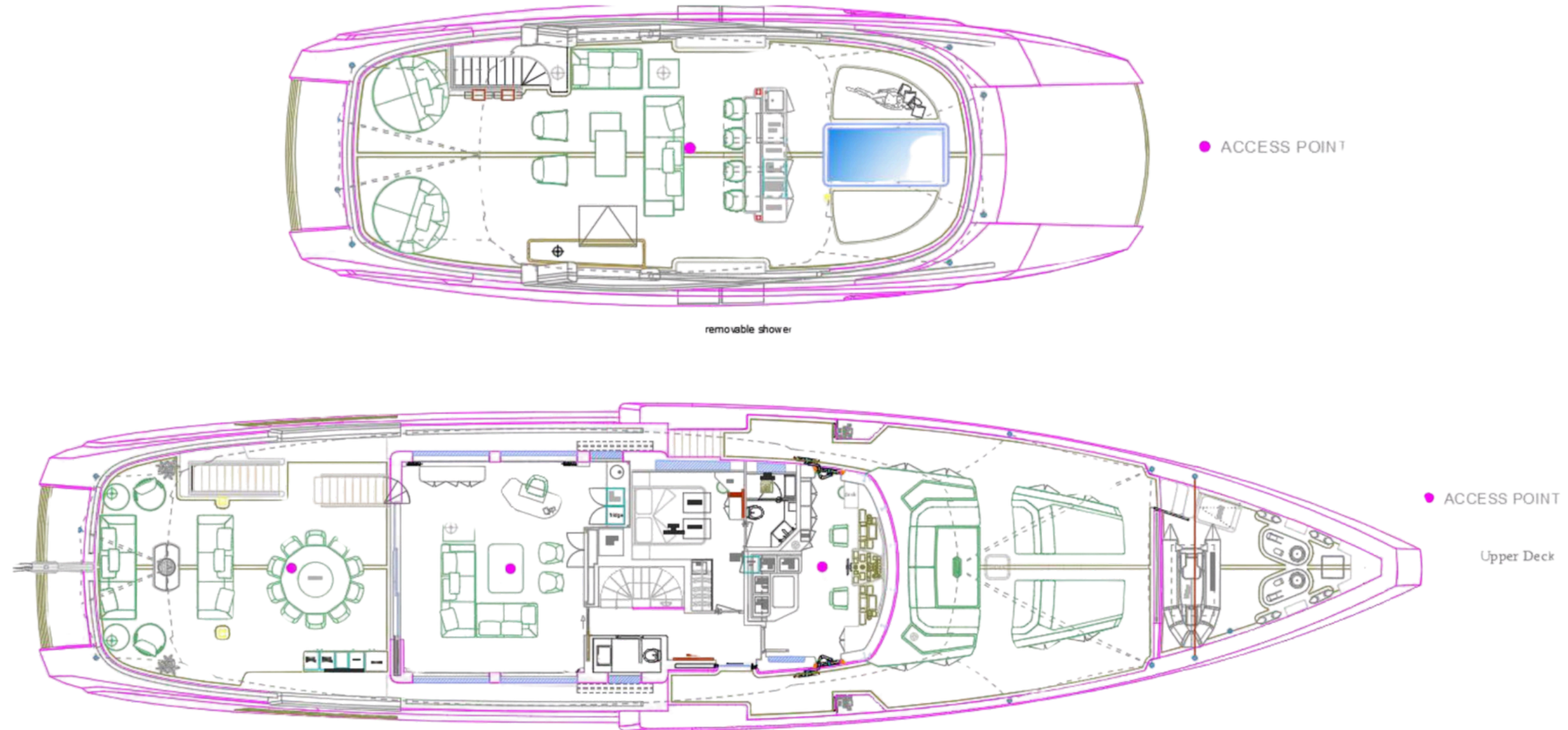
NB 117 ENTERTAINMENT SYSTEMS

STARLINK & GSM ANTENNA



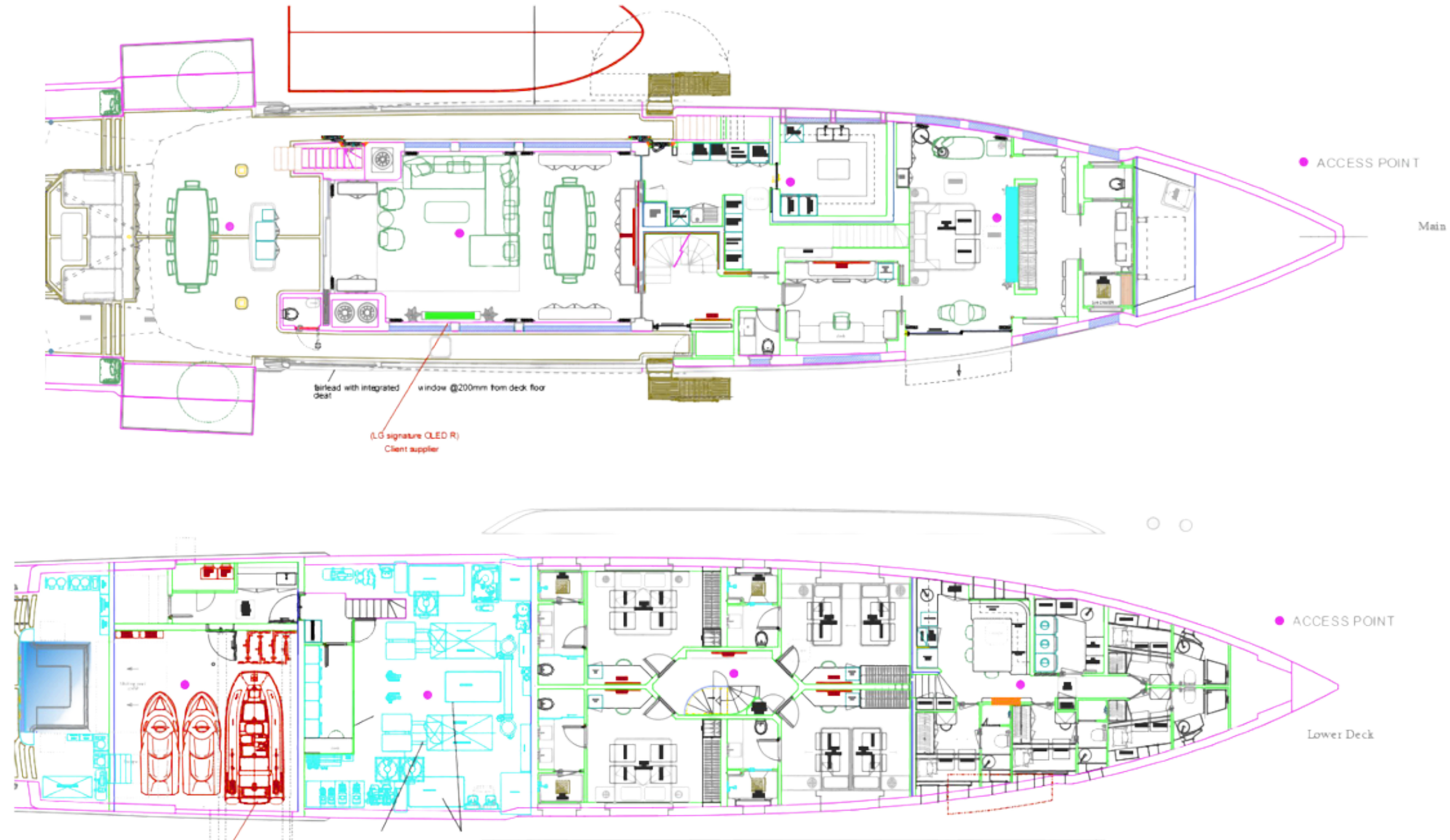
NB 117 ENTERTAINMENT SYSTEMS

NETWORK LAYOUT- SUN & UPPER DECK



NB 117 ENTERTAINMENT SYSTEMS

CCTV LAYOUT-MAIN DECK & LOWER DECK



NB 117 ENTERTAINMENT SYSTEMS

EQUIPMENTS-CCTV



**DAHUA- IPC-HDBW4231FP
AS-0280B**

- IPC-HDBW4231FP is a 2MP IR mini dome network camera designed for professional surveillance with high image quality and intelligent video features.
- Resolution: 2MP (1920×1080)
- Image Sensor: 1/2.8" Progressive Scan Exmor CMOS
- Video Compression: H.265 / H.264
- Frame Rate: 50/60fps @ 1080p
- Lens: 2.8 mm fixed (3.6 mm / 6 mm optional)
- IR Distance: Up to 20 m
- Features: WDR (120 dB), Day/Night (ICR), 3DNR, AWB, AGC, BLC
- Storage: Micro SD support
- Protection: IP67, IK10
- Power: PoE



**Massive MARINE AL -
Vision AI**

- Vision AI is an AI-based marine collision-prevention system that provides real-time monitoring, 360° awareness, and risk prediction for safer vessel navigation.
- Function: Collision prevention system
- Coverage: 360° situational awareness
- Technology: AI-based object detection
- Purpose: Navigation safety and risk prediction



Dahua - NKB1000

- NKB1000 is a professional network keyboard controller designed to manage surveillance systems such as NVRs, PTZ cameras, and video management platforms.
- Control: PTZ camera control with joystick
- Connectivity: Network (IP) control
- Compatibility: Dahua NVR, DVR and VMS systems
- Interfaces: USB, RJ45 network port
- Application: Security monitoring and camera management systems

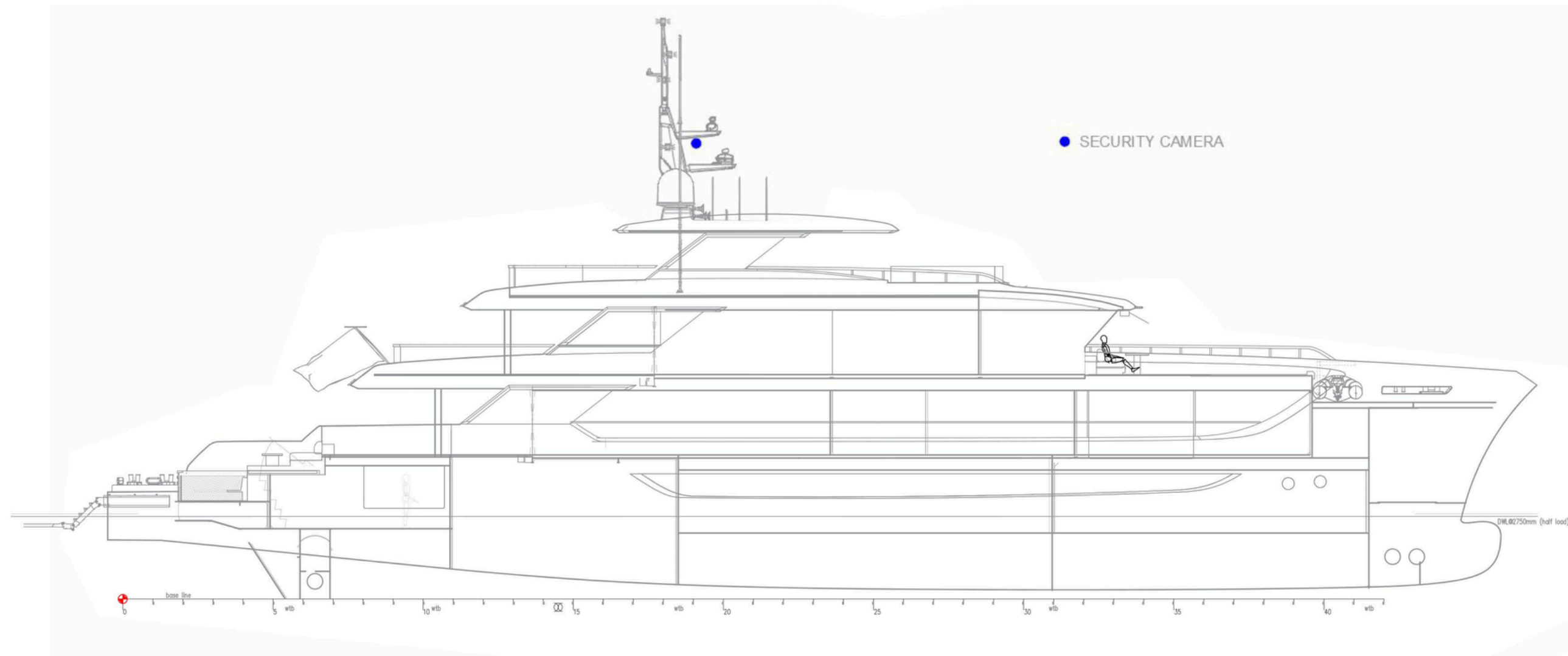


Mini PC

- Mini PC is a compact desktop computer designed for office tasks, monitoring systems, and control applications.
- Processor: Intel Celeron J4005
- Memory: 8 GB RAM
- Storage: 64 GB SSD
- Operating System: Windows 10 Pro
- Connectivity: Ethernet, Wi-Fi, Bluetooth
- Ports: USB, HDMI, DisplayPort

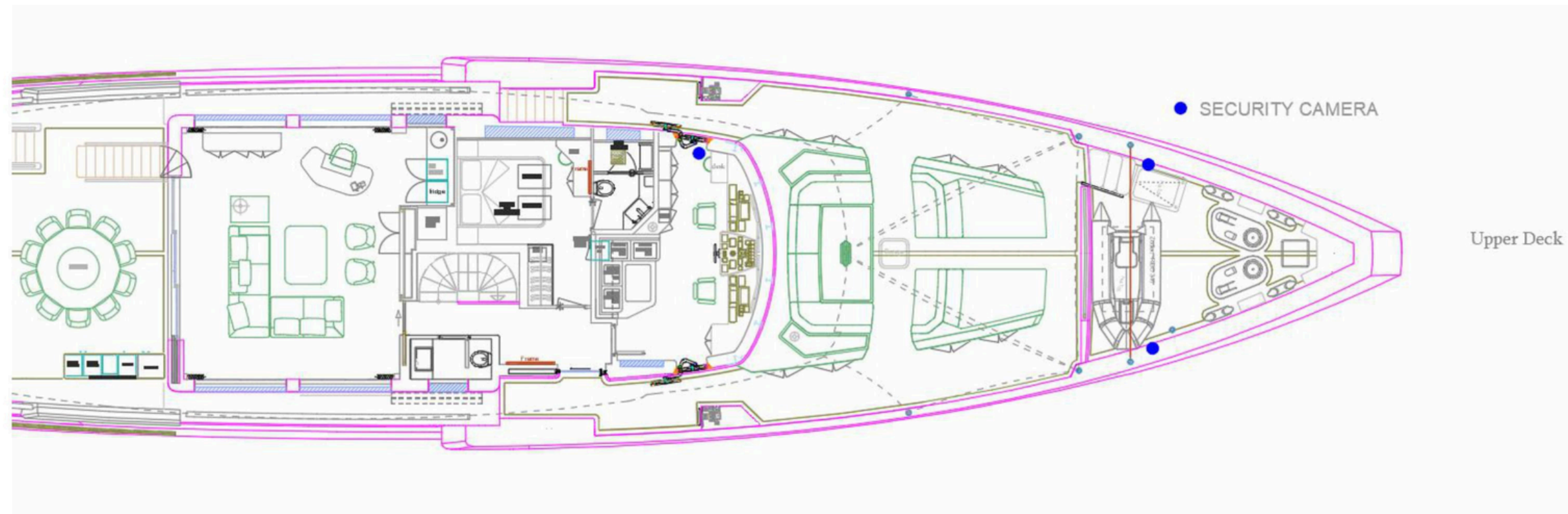
NB 117 ENTERTAINMENT SYSTEMS

CCTV LAYOUT- GENERAL



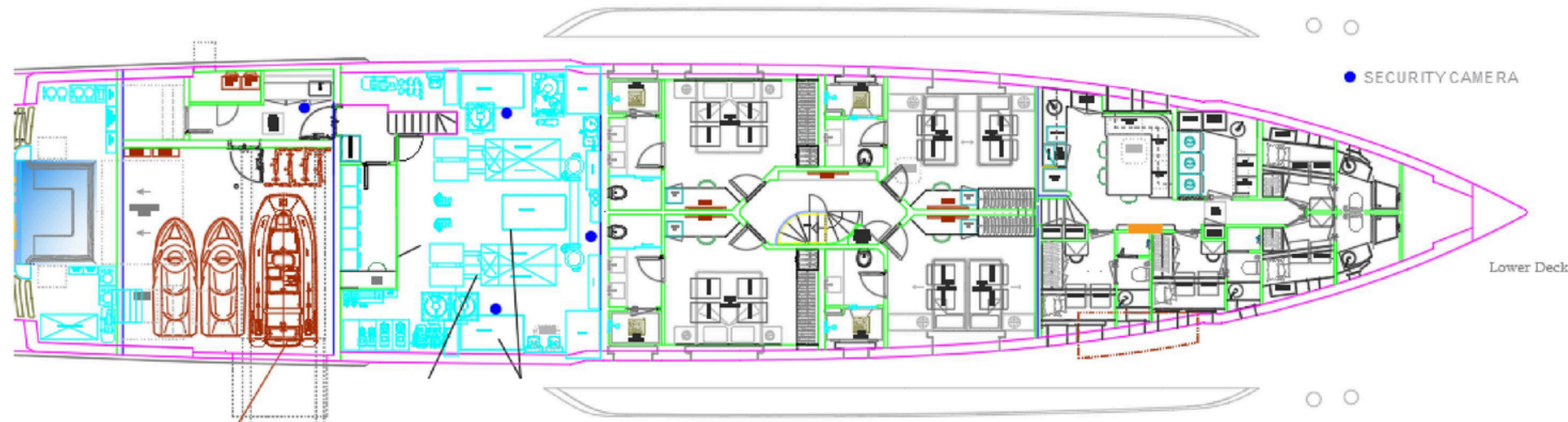
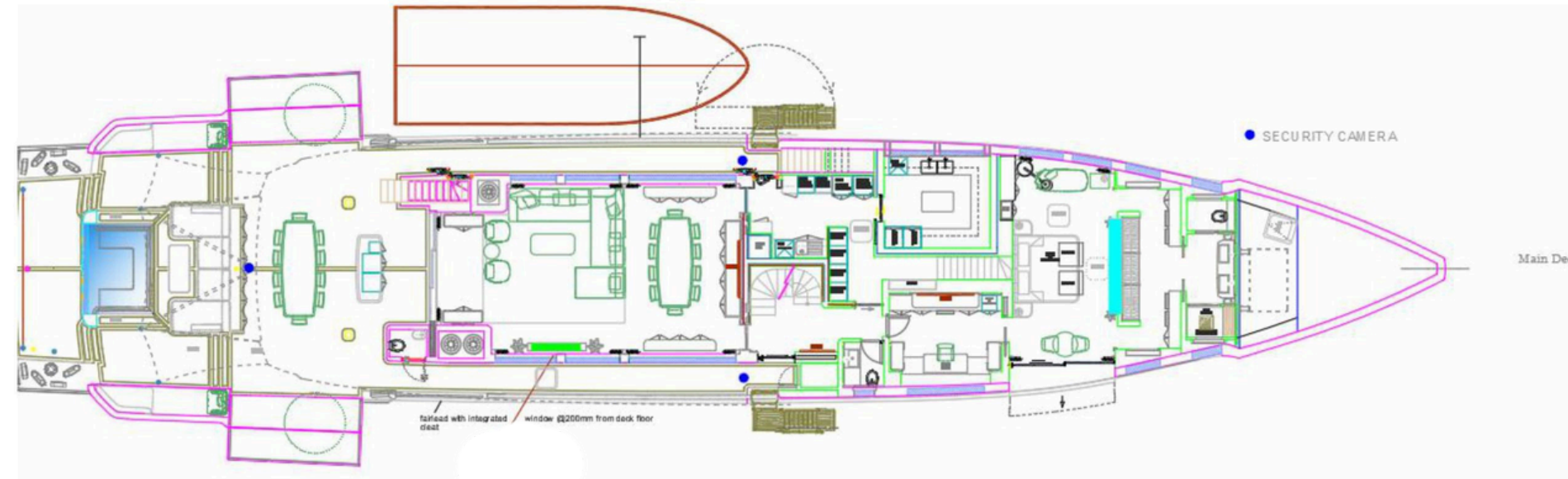
NB 117 ENTERTAINMENT SYSTEMS

CCTV LAYOUT - SUN DECK & UPPER DECK



NB 117 ENTERTAINMENT SYSTEMS

CCTV LAYOUT- MAIN DECK & LOWER DECK



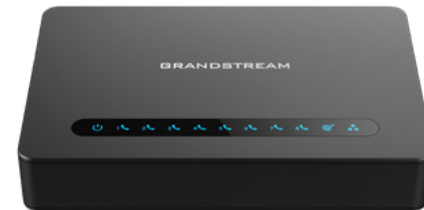
NB 117 ENTERTAINMENT SYSTEMS

EQUIPMENTS-IP



GRANDSTREAM - GS-UCM6302

- UCM6302 is an IP PBX communication system designed for businesses to manage voice, video, and conferencing services on a unified platform.
- Users: Supports up to 1000 users
- Concurrent Calls: Up to 150 simultaneous calls
- Provisioning: Zero-configuration for Grandstream SIP endpoints
- Conference: Built-in meeting and conferencing platform (desktop, Wave app, SIP endpoints)
- Wave App: Supports Android, iOS, Chrome, and Firefox browsers
- Integration: API available for third-party systems such as CRM and PMS
- Security: Secure boot, unique certificates, and random default passwords
- Network Ports: 3 x Gigabit RJ45 (with integrated PoE+ and NAT router support)
- Connectivity: Automatic NAT firewall traversal for secure remote connections
- Codecs: Opus audio codec; H.264 / H.263 / H.263+ / H.265 / VP8 video codecs
- Management: GDMS cloud provisioning and monitoring
- System: Based on Asterisk version 16 open-source telephony platform



GRANDSTREAM - GS-HT818

- The HT818 is a powerful 8-port VoIP gateway with 8 FXS ports and an integrated Gigabit NAT router. Built for users looking for a strong analog-to-VoIP converter
- Supports 2 SIP profiles and 8 FXS ports
- Strong AES encryption with security certificate per unit
- Automated & secure provisioning options using TR069
- 3-way voice conferencing per port
- Exceptional voice quality with wide-band HD codec
- Supports T.38 Fax for reliable Fax-over-IP
- Supports dual Gigabit network ports
- High performance NAT router



GRANDSTREAM-WP820

- WP820 is a portable Wi-Fi IP phone designed for enterprise environments such as offices, warehouses, retail stores, and hotels, providing mobile VoIP communication with high-quality audio and wireless connectivity.
- Wi-Fi: Dual-band 802.11 a/b/g/n (2.4 GHz & 5 GHz)
- Bluetooth: Built-in for headsets and mobile devices
- Battery: 1500 mAh rechargeable battery
- Talk Time: Up to 7.5 hours
- Standby Time: Up to 150 hours
- Accounts: 2 SIP accounts, 2 lines
- Audio: HD voice with dual microphones and noise reduction
- Ports: Micro-USB charging port and 3.5 mm headset jack
- Display: 2.4" color LCD

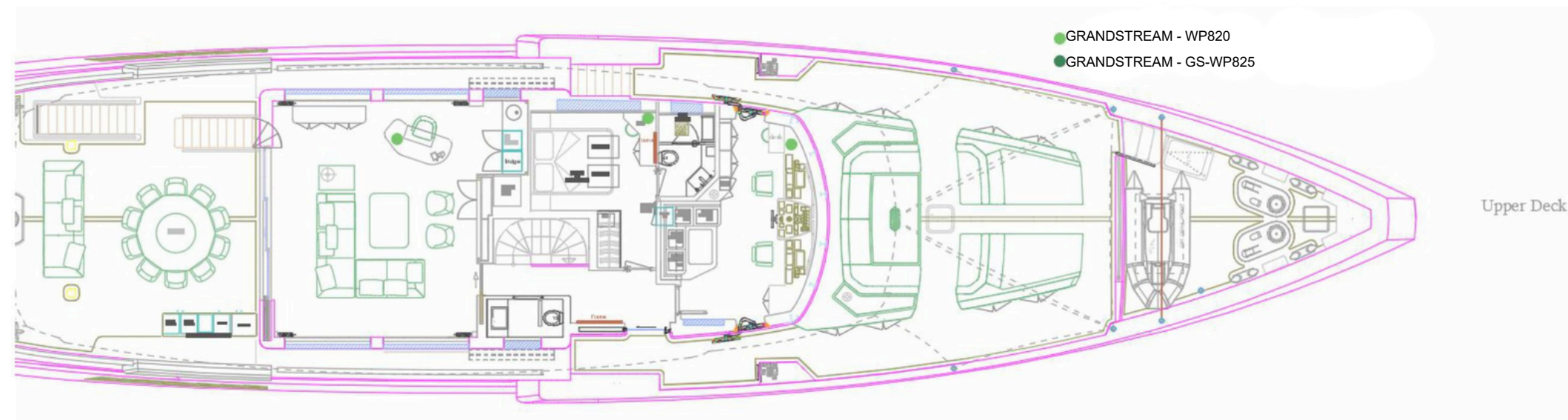
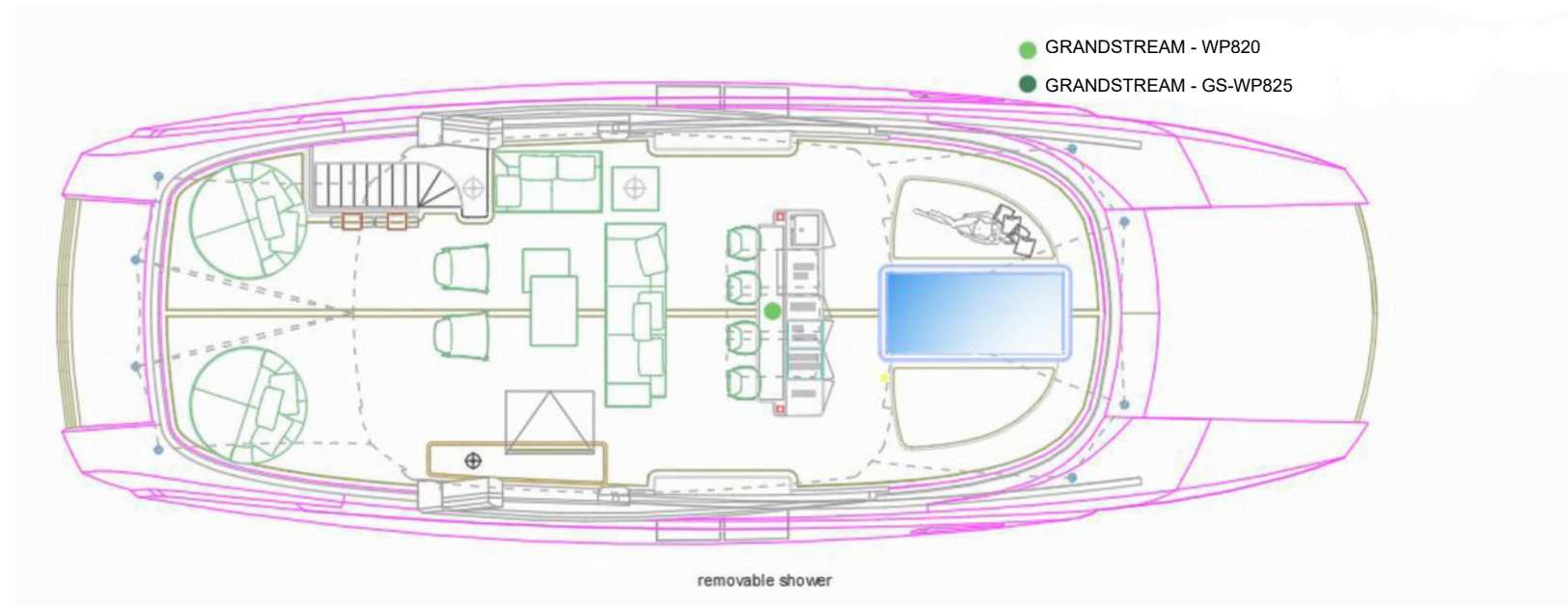


GRANDSTREAM- GS-WP825

- Dual-band Wi-Fi with efficient antenna design and advanced roaming support
- 2 SIP accounts, 2 lines
- HD voice & dual MIC design with AEC and Noise Shield Technology
- Rechargeable 2000mAh battery, 8 hour talk time, 200-hour standby
- Integrated Bluetooth to connect headsets
- Configurable button for push-to-talk
- Micro USB port and 3.5mm headset jack
- Ruggedized design. Waterproof, dustproof, and drop safe from 2.5m

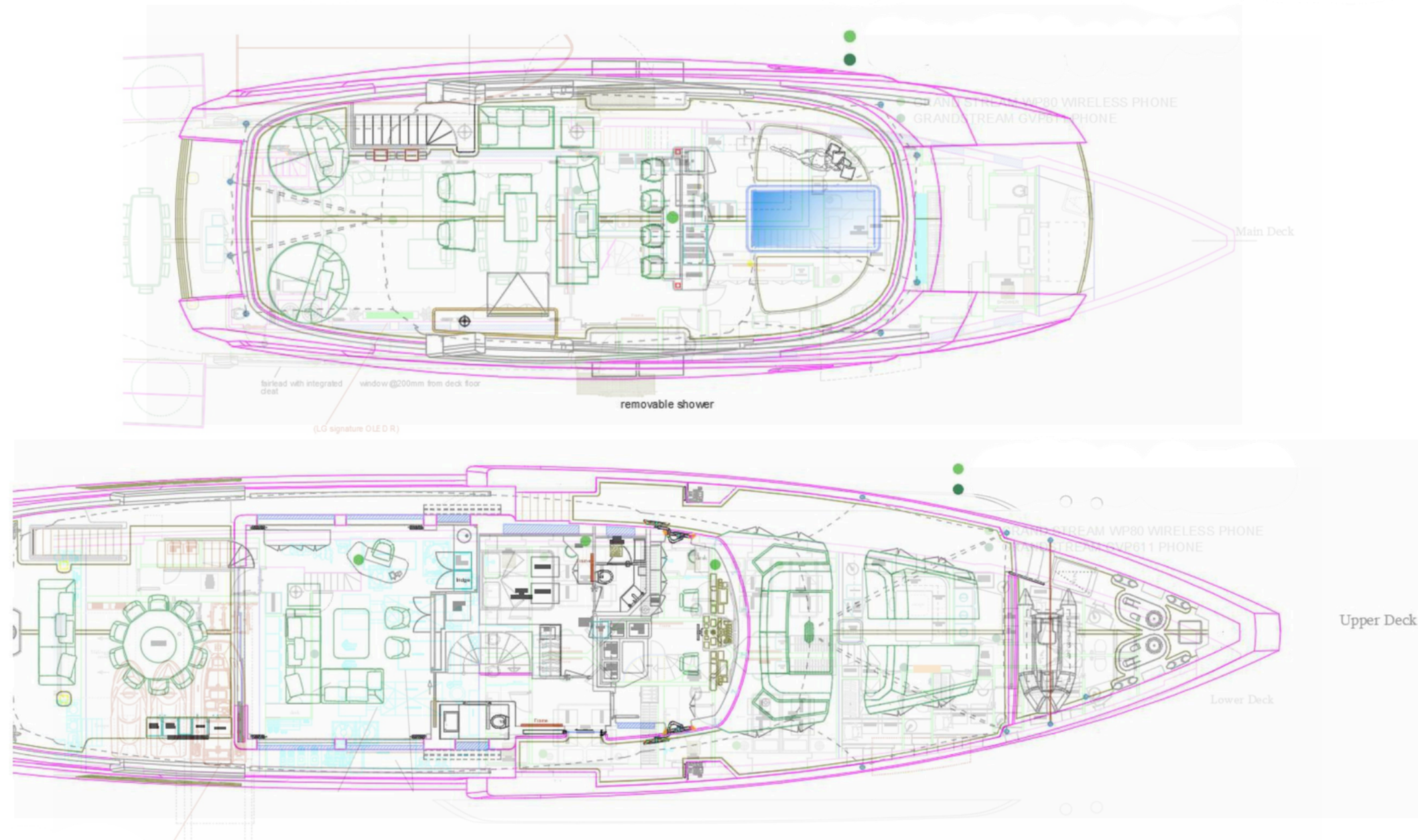
NB 117 ENTERTAINMENT SYSTEMS

IP TELEPHONE LAYOUT- SUN DECK & UPPER DECK



NB 117 ENTERTAINMENT SYSTEMS

IP TELEPHONE LAYOUT- MAIN DECK & UPPER DECK



Automation System Central Equipment



Lutron - HQP7-2

- High Performance Control Processor.
- Supports Lighting, Shades & Automation.
- Ethernet Connectivity (10/100 Mbps).
- QS Link Communication.
- Integration with AV, Security & BMS Systems.
- Remote Access & Control.
- Timeclock & Logic Programming.
- Scalable System Architecture.
- LED Status Indicators.
- 24V DC Power Supply.
- Rack / Wall Mount Installation.
- Professional Grade System.



Lutron QSPS-DH-1-75

- QS link power supply (DIN rail mounted)
- Input Voltage
- 100–277 V AC
- Output Voltage
- 24 V DC
- Output Current
- Approximately 2.5 A
- Power Capacity
- Approximately 60 W (75 PDU)
- Application
- Used in Lutron HomeWorks QS and QSX systems
- Provides power for keypads, sensors, and control devices
- Mounting
- 35 mm DIN rail
- Important Note
- Not suitable for motorized shades



Lutron LQSE-M-D

- Motor control module (DIN rail mounted)
- Input Voltage
- 120 V AC (may vary by model)
- Output
- AC motor control outputs (up/down)
- Channel Count
- 4 independent motor zones
- Application
- Used in Lutron HomeWorks QS systems
- Controls shades, blinds, shutters, and projection screens
- Control Feature
- Independent raise/lower control for each zone
- Safety
- Prevents simultaneous up and down operation
- Connection
- Integrated via QS link
- Mounting
- DIN rail
- Important Note
- Only for motor loads, not for lighting systems



Lutron LQSE-4S5-230-D

- Switching power module (DIN rail mounted)
- Input Voltage
- 220–240 V AC
- Output
- Switched outputs (on/off control only)
- Channel Count
- 4 independent output zones
- Load Capacity
- Up to 5 A per zone
- Application
- Used in Lutron HomeWorks QS systems
- Controls lighting loads (on/off switching)
- Motor Support
- Supports motor loads up to 1/2 HP
- Control Features
- Adaptive zero-cross switching
- Manual override buttons on module
- Connection
- Integrated via QS link
- Additional Features
- LED indicators for diagnostics
- Contact closure input and output
- Power failure memory restores previous state
- Mounting
- DIN rail
- Important Note
- Used for switching only, not for dimming



Lutron LQSE-2DALUNV-D

- Universal DALI-2 power module (DIN rail mounted)
- Input Voltage
- 120–240 V AC
- Output
- DALI bus power and control
- Channel Count
- 2 independent DALI buses
- Load Capacity
- Up to 64 DALI devices per bus
- Application
- Used in Lutron HomeWorks QS and QSX systems
- Controls DALI-compatible LED drivers and ballasts
- Control Features
- Single master DALI controller
- Supports DALI-2 devices (DT6 and DT8)
- Bus Power
- 16 V DC DALI bus output
- 128 mA guaranteed (250 mA max) per bus
- Connection
- Integrated via QS link
- Mounting
- DIN rail
- Important Note
- Only compatible with DALI-certified devices
- Each bus supports max 64 addressable loads

NB 117 ENTERTAINMENT SYSTEMS

Automation System Central Equipment



Lutron QSE-CI-DMX

- DMX control interface module
- Input Voltage
- 24–36 V DC
- Output
- DMX512 signal output
- Channel Capacity
- Up to 32 DMX channels
- Application
- Used in Lutron HomeWorks QS, Athena and Quantum systems
- Controls DMX lighting devices such as RGB LED fixtures and stage lighting
- Control Features
- Maps system zones to DMX channels (1-channel or 3-channel RGB/CMY)
- Supports color control via RGB/CMY
- Connection
- Integrated via QS link
- DMX Link
- Up to 305 m (1000 ft) wiring length
- System Capacity
- Counts as 1 QS device, uses 2 PDU
- Mounting
- Wall or panel mounting
- Important Note
- Designed for DMX lighting control, not for direct load switching or dimming



Lutron QSM3-XW-C

- QS sensor module (ceiling mounted)
- Input Voltage
- 24–36 V DC
- Power Consumption
- 100 mA max
- Frequency
- 868 MHz (EU region)
- Function
- Wireless sensor integration module
- Application
- Used in Lutron HomeWorks QS systems
- Integrates occupancy sensors, daylight sensors, and Pico wireless controls
- Wireless Capacity
- Up to 30 wireless devices
- (Max 10 occupancy, 10 daylight, 10 Pico controls)
- Wired Inputs
- Wireless only (no wired inputs)
- Communication
- Via QS link (no direct load control)
- System Compatibility
- Works with Quantum, Energi Savr Node, Grafik Eye QS, Sivoia QS
- Mounting
- Ceiling mount
- Important Note
- Does not control loads directly, works as a sensor interface module



Lutron LRF3-OCR2B-P-WH

- Wireless occupancy / vacancy sensor (ceiling mounted)
- Power Supply
- Battery powered (approx. 10-year life)
- Technology
- Passive infrared (PIR) motion detection
- Communication
- Clear Connect RF wireless
- Coverage
- 360° detection area
- Coverage Area
- Approximately 30–62 m² depending on mounting height
- Operating Modes
- Auto-On / Auto-Off
- Auto-On Low-Light / Auto-Off
- Manual-On / Auto-Off
- Light Sensitivity
- Low-light activation (~10 lux threshold)
- Application
- Used in Lutron lighting control systems
- Automatically controls lighting based on occupancy
- Mounting
- Ceiling mount (flush installation)
- Connection Range
- Up to ~18 m line-of-sight RF communication
- Additional Features
- Test mode with LED indication
- Adjustable timeout and sensitivity settings
- Important Note
- Does not control loads directly, works wirelessly with compatible devices



Lutron HQWT-U-P4W-SN

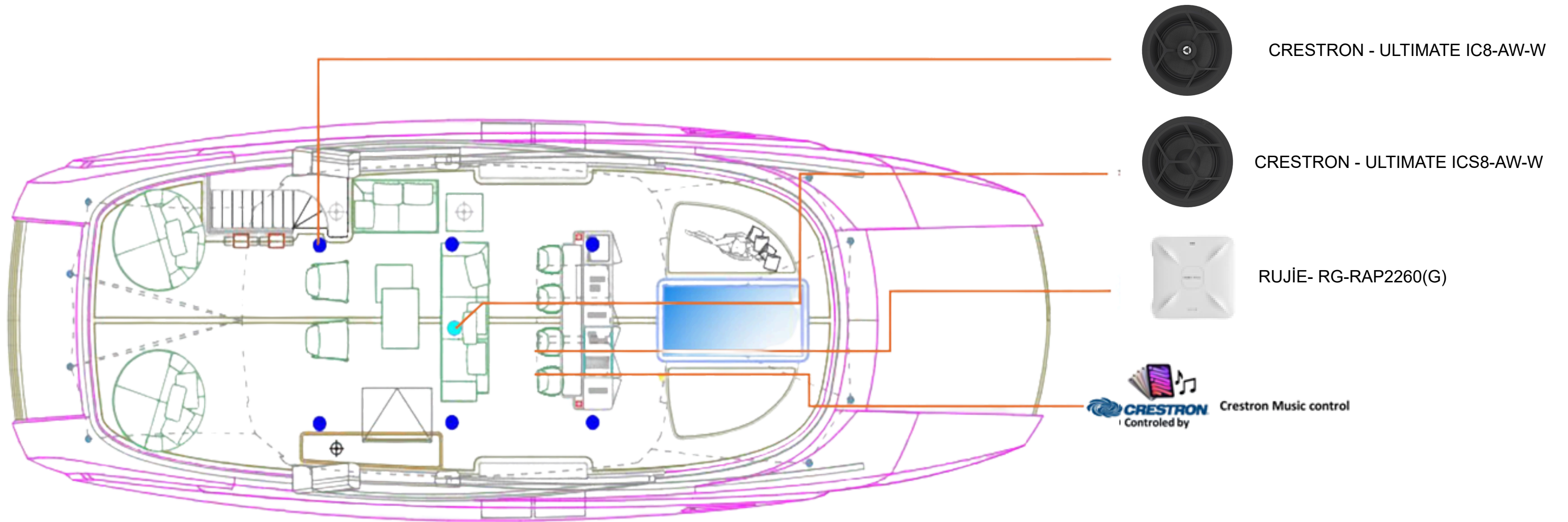
- Wired Palladiom keypad (wall mounted)
- System
- HomeWorks QS lighting control system
- Button Configuration
- 4-button keypad (1 column)
- Input Voltage
- 24–36 V DC
- Power Consumption
- Approximately 0.7 W
- Function
- Controls lighting, shades, temperature, and scenes
- Control Features
- Backlit buttons with engraved labels
- Adjustable backlight intensity (dynamic control)
- Design
- Premium Palladiom design
- Satin Nickel (SN) finish
- Large, easy-to-use buttons
- Connection
- QS link wired communication
- Mounting
- Wall mount (U.S. style wallbox)
- Important Note
- Does not control loads directly, works as a control interface

NB 117 ENTERTAINMENT SYSTEMS

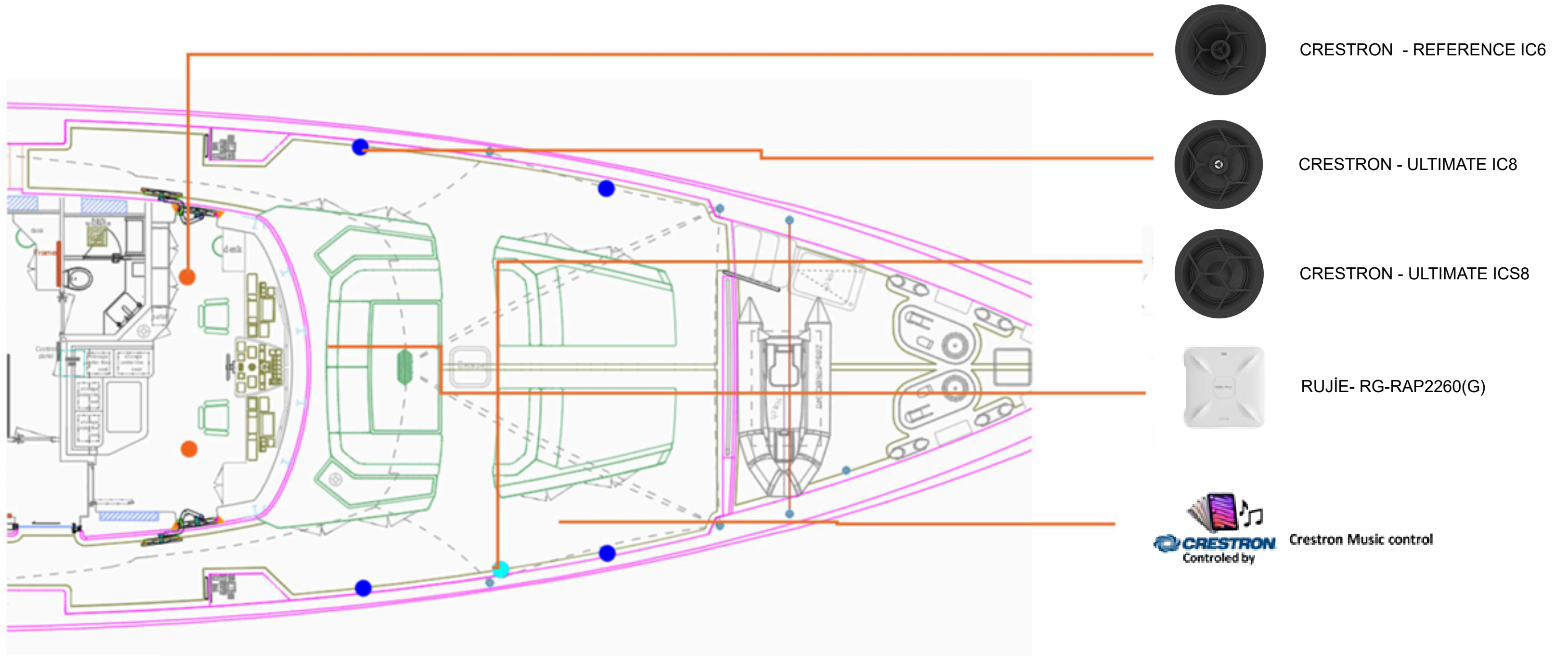
ROOM LAYOUTS

NB 117 ENTERTAINMENT SYSTEMS

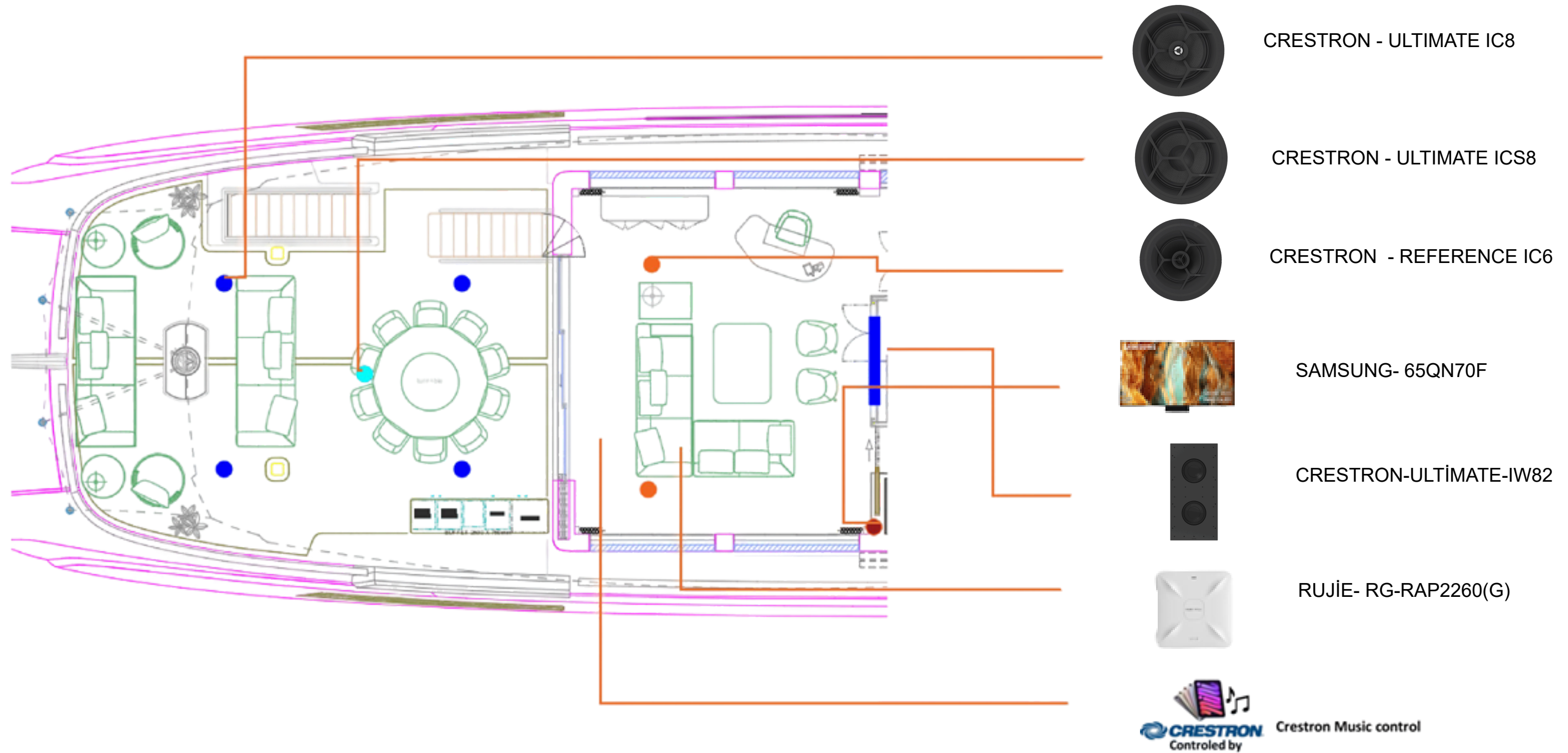
SUN DECK



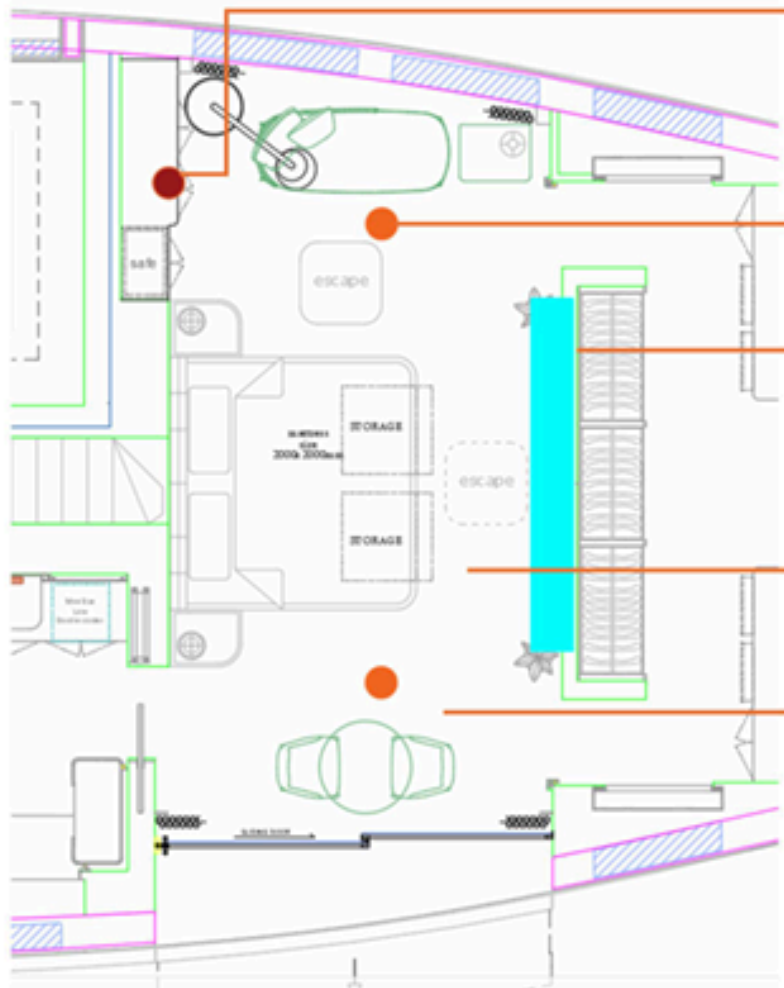
NB 117 ENTERTAINMENT SYSTEMS UPPER DECK- WHEEL HOUSE & FRONT DECK



NB 117 ENTERTAINMENT SYSTEMS UPPER DECK-SKY LOUNGE & AFT DECK



NB 117 ENTERTAINMENT SYSTEMS MAIN DECK- MASTER CABIN



CRESTRON - ULTIMATE IC6



CRESTRON-ULTIMATE IWS82



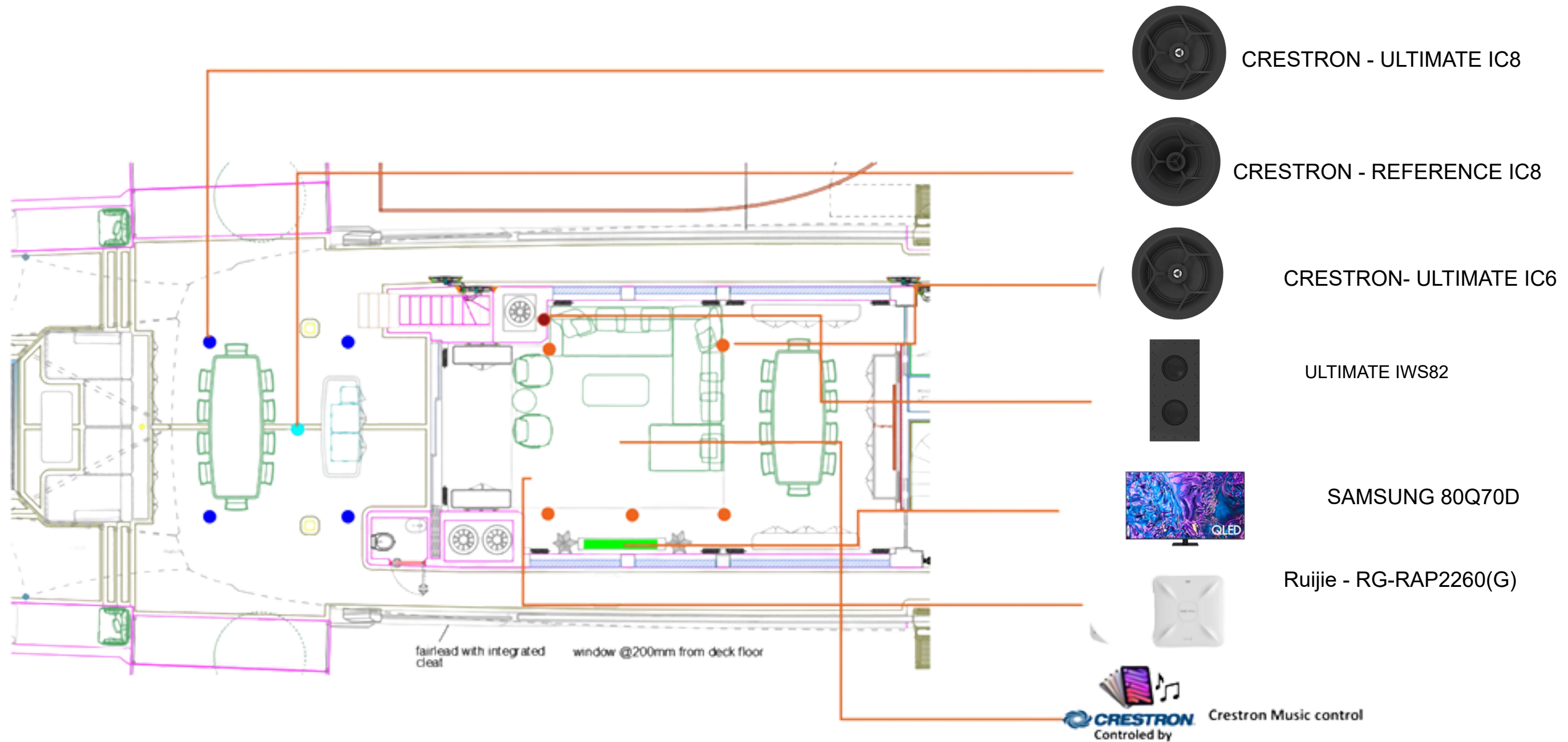
SAMSUNG -55Q70D



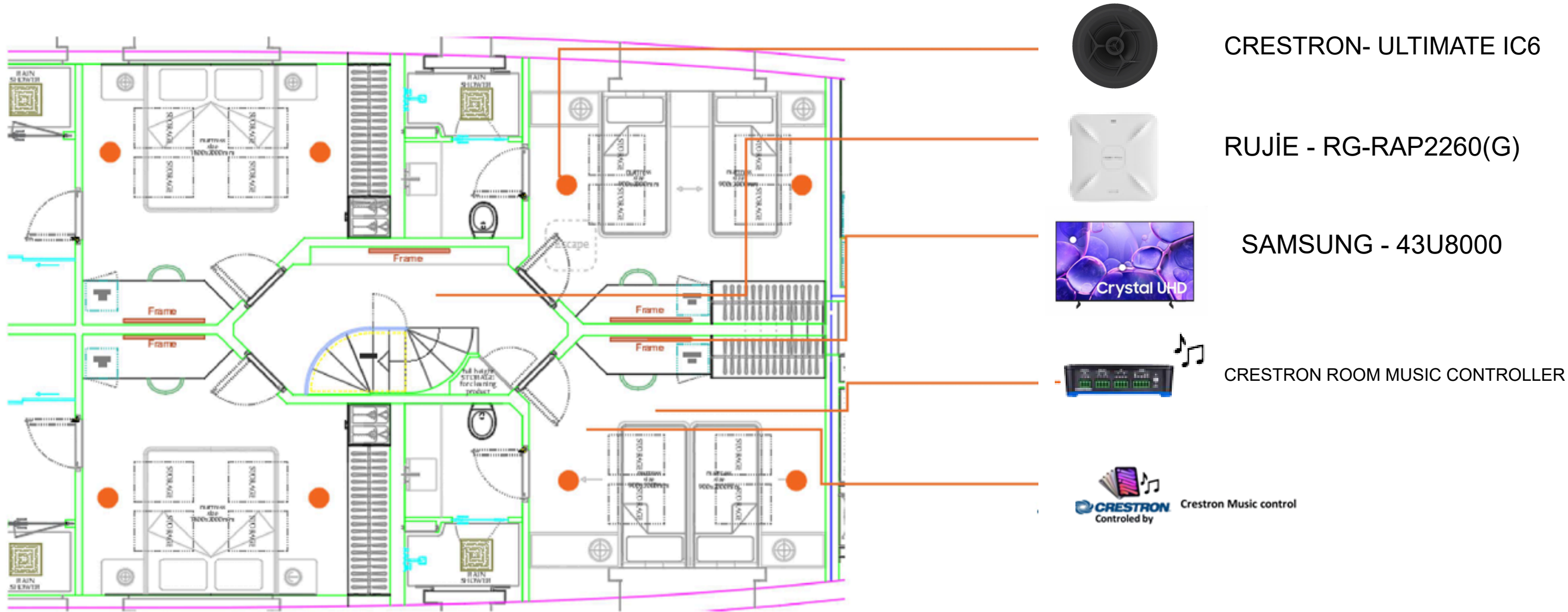
Ruijie - RG-RAP2260(G)



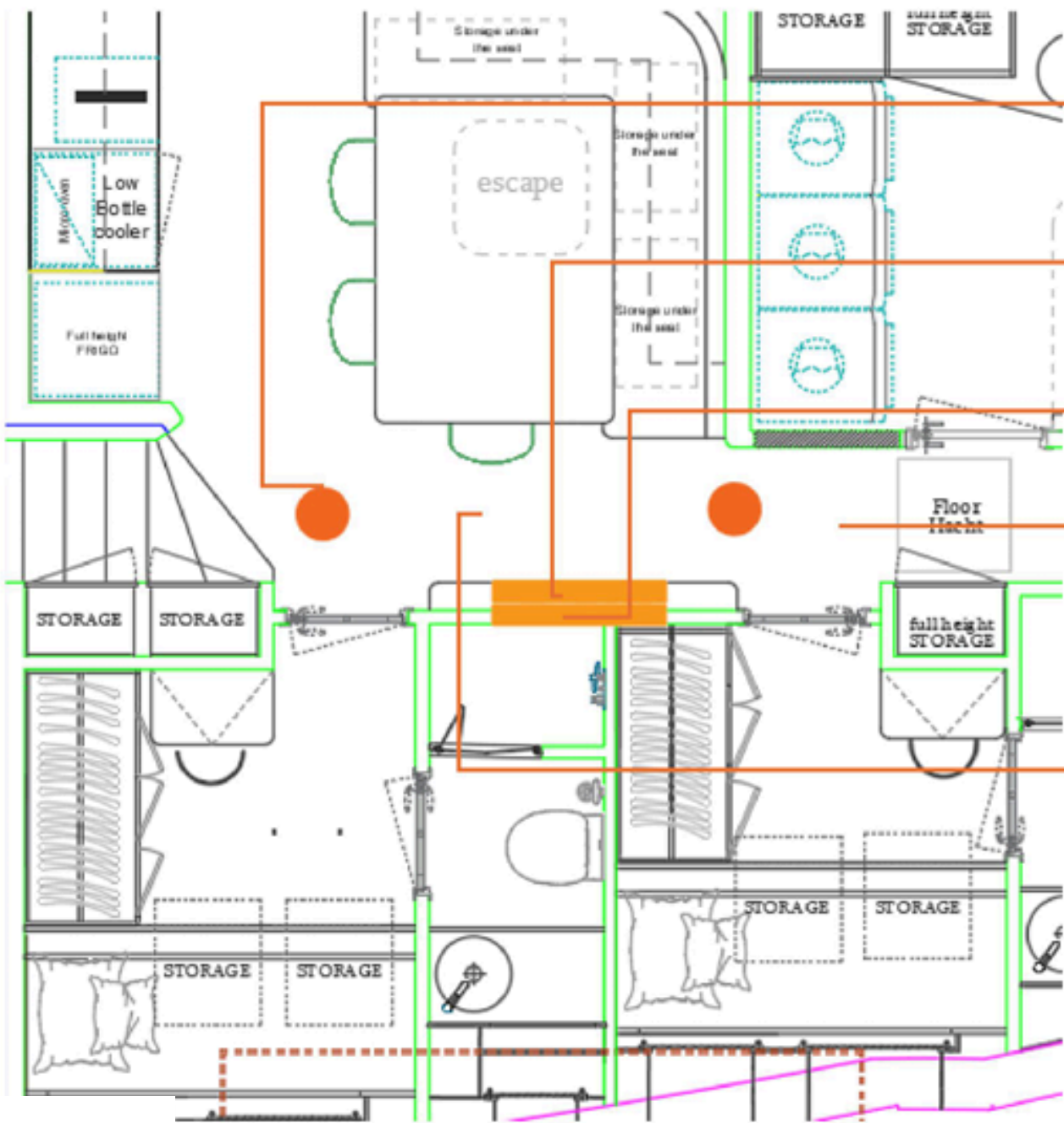
NB 117 ENTERTAINMENT SYSTEMS MAIN DECK- MAIN SALON & AFT DECK



NB 117 ENTERTAINMENT SYSTEMS LOWER DECK- GUEST CABIN



NB 117 ENTERTAINMENT SYSTEMS LOWER DECK- CREW



CRESTRON - REFERENCE IC6



TCL-32S5K



TCL-32S5K



RUJIE- RG-RAP2260(G)



Crestron Music control

NB 117 ENTERTAINMENT SYSTEMS

AV CENTRAL RACK



CRESTRON DSP-1281

- Engineered to deliver exceptional pro audio performance with faster, easier implementation
- Ready to go out of the box and extensively configurable
- Hybrid channel strip architecture
- Customizable inputs and outputs
- Eight internal aux buses
- Clean and intuitive software
- Real-time configuration and adjustment
- Work offline or live via Ethernet or USB
- Native Crestron system integration for rapid programming ^[1]
- Highest-quality converters, preamps, and line amps
- Twelve mic/line inputs with 66 dB gain range
- Eight +24 dB balanced line outputs
- 32x32 Dante™ audio network interface
- AES67 compatible^[2]
- Front panel VU meters
- Internal universal power supply
- Single-space 19" rack mountable



CRESTRON-CP4

- 4-Series™ control system with 2 GB SDRAM and 8 GB flash memory
- Embedded 4-Series multicore CPU processor
- iPhone®, iPad®, and Android™ device control app support
- XPanel computer and web based control
- Modular programming architecture
- Onboard IR/serial, COM, I/O, relay, Cresnet® network, and high-speed gigabit Ethernet control ports
- High-speed USB 2.0 host port and rear panel memory card slot
- Crestron Fusion® software room monitoring and scheduling support
- XiO Cloud® service provisioning and management support
- Enterprise-class network security and authentication
- SNMP V3 remote IT management support
- Native BACnet network/IP support
- Installer setup via software, web browser, or cloud
- IPv6 ready
- Integrates with Apple® HomeKit® technology
- Rack mountable



CRESTRON- DM-NAX-8ZSA

- Audio-over-IP (AoIP) amplifier, puts Crestron® multiroom distributed audio on the network
- Robust, high-efficiency, audiophile grade amplification
- Built-in streaming services support
- 2 RU form factor, low power consumption, cool-running operation
- Built-in chime support
- Voice control support for Crestron Home® OS
- 150 Watts/Ch. @ 8 Ohms or 300 Watts/Ch. @ 4 Ohms, with zones bridgeable up to 500 Watts/Ch.
- Provides eight amplified stereo zone (16-channel) outputs
- Four stereo line-level outputs mirror speaker zone outputs 1-4
- Output Bussing — enables linked operation of multiple adjacent zones
- Connects directly to a managed network to route to or from other DM NAX and DM NVX® devices
- Interoperable with Dante® networked audio devices via AES67 compatibility
- Includes 4 stereo unbalanced analog RCA and 4 SPDIF (2 TOSLINK® and 2 Coaxial) audio inputs
- Full DSP capabilities
- Individual zone power control and global standby
- Streamlined setup and adjustment via the device's web interface
- Seamless Crestron system integration with Crestron Home and SIMPL programming

NB 117 ENTERTAINMENT SYSTEMS

AV CENTRAL RACK



CRESTRON DM-NAX-8ZSA

- Audio-over-IP (AoIP) amplifier, puts Crestron® multiroom distributed audio on the network
- Robust, high-efficiency, audiophile grade amplification
- Built-in streaming services support
- 2 RU form factor, low power consumption, cool-running operation
- Built-in chime support
- Voice control support for Crestron Home® OS
- 150 Watts/Ch. @ 8 Ohms or 300 Watts/Ch. @ 4 Ohms, with zones bridgeable up to 500 Watts/Ch.
- Provides eight amplified stereo zone (16-channel) outputs
- Four stereo line-level outputs mirror speaker zone outputs 1-4
- Output Bussing — enables linked operation of multiple adjacent zones
- Connects directly to a managed network to route to or from other DM NAX and DM NVX® devices
- Interoperable with Dante® networked audio devices via AES67 compatibility
- Includes 4 stereo unbalanced analog RCA and 4 SPDIF (2 TOSLINK® and 2 Coaxial) audio inputs
- Full DSP capabilities
- Individual zone power control and global standby
- Streamlined setup and adjustment via the device's web interface
- Seamless Crestron system integration with Crestron Home and SIMPL programming



MARANTZ- CINEMA40/NISG 3

- Crafted in Shirakawa, Japan
- 9.4 Channels
- 125 Watts per Channel
- 7 HDMI Inputs plus eARC
- 8K & Dolby Atmos
- HEOS Built-in
- 5 Year Warranty



CRESTRON- AMPI-8150

- High-efficiency eight-channel amplifier
- Robust and reliable performance
- Professional sound quality
- 150 watts per channel @ 4/8 Ohms
- Each channel configurable for Lo-Z or Hi-Z operation
- Model AMP-8150 supports 100-120V AC line power and 4/8Ω or 70V output
- Model AMPI-8150 supports 220-240V AC line power and 4/8Ω or 100V output
- Mono, stereo, and bridged modes
- Comprehensive fault and speaker protection per channel
- Extensive front panel status indicators and output meters
- High-speed Ethernet LAN connectivity
- Software configuration, control, and monitoring
- Crestron® control system integration support
- Crestron Fusion® enterprise management support^[1]
- Rear panel +24 dBu balanced inputs and level adjustments
- Detachable terminal block connectors for easy servicing
- Single-space 19" rack mountable
- High-density stackable without extra vent spacing



Crestron - AMP-X300

- 1RU surface or rack-mountable power amplifier
- Half-rack width form factor, gangable with other next generation half-rack width form factor products using the [RMK-AMP-X](#) mounting kit (sold separately)
- Configurable for either LoZ (4/8 Ω) or Hi-Z (70V or 100V) operation
- Configurable for 4 x up to 75 W output, 2 x up to 150 W output, 1 x up to 300 W (bridged) output, and 2 x up to 75 W + 1 x up to 150 W(bridged) output
- Low noise, low distortion, and high headroom
- Comprehensive fault and speaker protection
- Captive speaker connectors for secure and robust connectivity
- Balanced and unbalanced inputs
- Standby feature instantly turns on amplifier when input sensing circuitry detects an audio signal
- Always On feature allows constant on connection with very low power consumption
- Remote standby feature allows for instant on/off control over amplifier outputs via a simple contact closure input
- Front panel power/standby, fault, and signal/clip indicators
- Internal universal 100-240V power supply