



MENGI 44 60
YEARS

 OMS
INTERNATIONAL SERVICES

NB 117 ENTERTAINMENT SYSTEMS

AUDIO – VIDEO SYSTEMS

NB 117 ENTERTAINMENT SYSTEMS

EQUIPMENTS- SPEAKERS



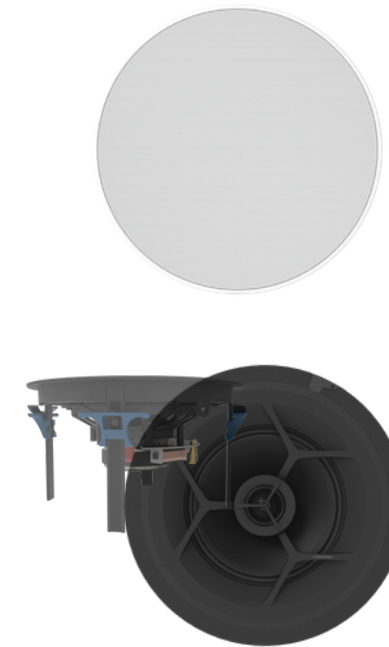
CRESTRON ULTIMATE IC8-AW-W-T-EACH

- Audiophile performance 2-way all weather in-ceiling speaker
- 8 in. (203 mm) carbon fiber woofer
- 1 in. (25 mm) steerable, ceramic-coated aluminum tweeter
- IP66 rated for particle and water protection
- Twist and lock toolless bayonet mounting system
- 150 W (Program), and 300 W (Peak) power handling
- 45 Hz to 30 kHz (± 3 dB) frequency response
- 8 Ohms nominal impedance
- Various grille options
- Installation friendly low profile with 4.63 in. (118 mm) depth



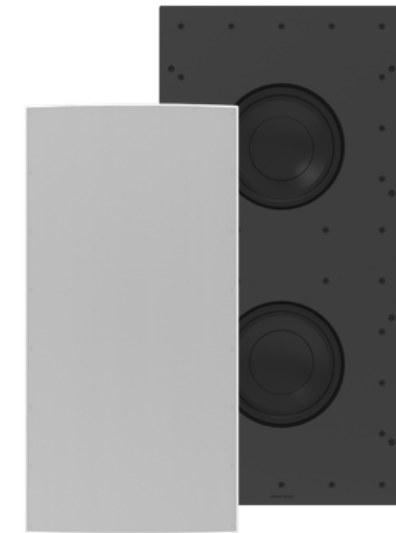
CRESTRON ULTIMATE ICS8-AW-W-T-EACH

- Audiophile performance in-ceiling subwoofer
- 8 in. (203 mm) carbon fiber woofer
- IP66 rated for particle and water protection
- Twist and lock toolless bayonet mounting system
- 200 W (Program), and 400 W (Peak) power handling
- 45 Hz to 175 Hz (± 3 dB) frequency response
- 8 Ohms nominal impedance
- Various grille options
- Installation friendly low profile with 4.72 in. (120 mm) depth
- Perfect for Marine applications



CRESTRON REFERENCE IC6-W-T-EACH

- Audiophile performance 2-way in-ceiling speaker
- 6.5 in. (165 mm) woven glass fiber woofer
- 1 in. (25 mm) Silk DPSD™ steerable tweeter
- Twist and lock toolless bayonet mounting system
- 100 W (Program), and 200 W (Peak) power handling
- 60 Hz to 20 kHz (± 3 dB) frequency response
- 8 Ohms nominal impedance
- Various grille options
- Installation friendly low profile with 3.58 in. (91 mm) depth



CRESTRON ULTIMATE IWS82-AW-W-T-EACH

- Audiophile performance in-wall subwoofer
- 8 in. (203 mm) aluminum active and 8 in. (203 mm) aluminum passive radiator woofers
- In-wall dog ear mounting system
- IP66 rated for dust and water, weatherized construction
- 200 W (Program), and 400 W (Peak) power handling
- 35 Hz to 175 Hz (± 3 dB) frequency response
- 8 Ohms nominal impedance
- Various grille options
- Perfect for Marine applications

NB 117 ENTERTAINMENT SYSTEMS

EQUIPMENTS- TV



Samsung - 43U8000

- 43-inch Crystal UHD 4K display (3840 × 2160 resolution)
- Crystal Processor 4K for enhanced picture quality and upscaling
- HDR and HDR10+ support for improved contrast and color
- 20 W 2-channel audio system with Object Tracking Sound Lite
- Smart TV powered by Samsung Tizen operating system
- Built-in Wi-Fi, Bluetooth, HDMI, USB, and Ethernet connectivity
- Integrated satellite receiver and Game Mode support



TCL-32SK

- 32-inch LED display
- Full HD resolution (1920 × 1080)
- Smart TV with Google TV operating system
- Built-in Wi-Fi and Bluetooth connectivity
- HDR support for enhanced picture quality
- Dolby Audio sound technology
- Multiple connectivity ports including HDMI and USB
- Slim and modern design suitable for compact spaces



Samsung- 85Q70D

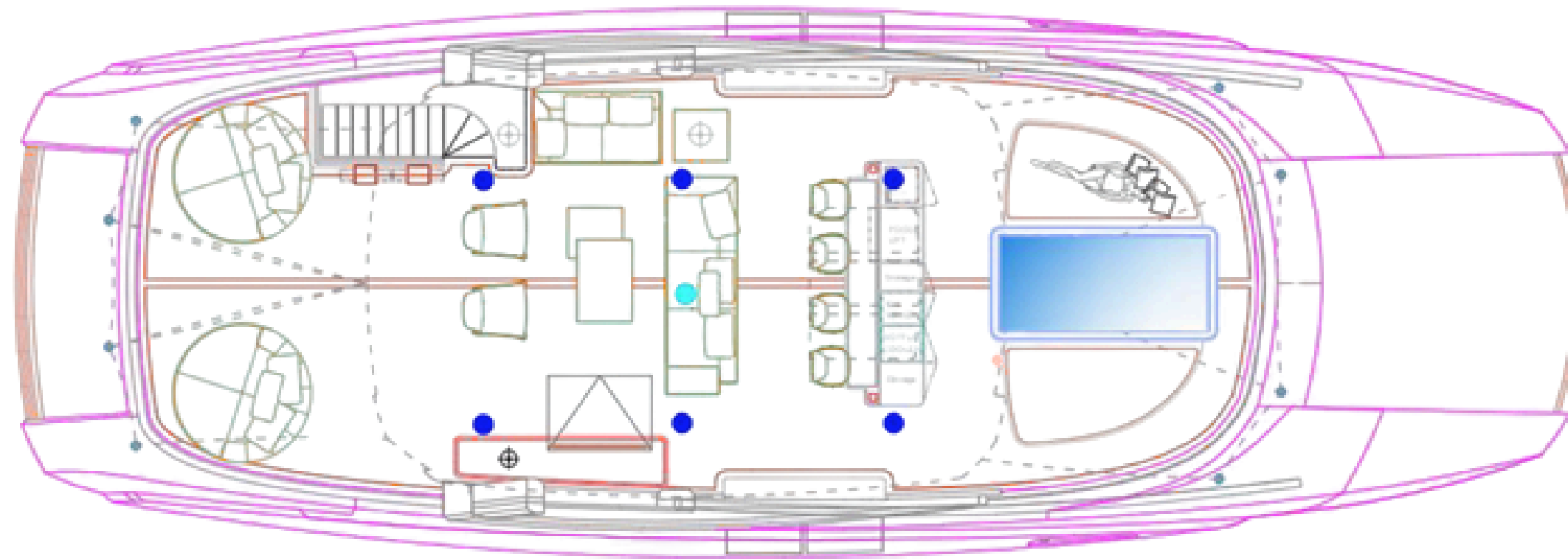
- 85Q70D is an 85-inch 4K Smart QLED TV designed for large-screen home entertainment with vibrant colors, AI image processing, and smart connectivity.
- Screen Size: 85 inch (216 cm)
- Resolution: 4K Ultra HD (3840 × 2160)
- Display Technology: QLED with Quantum Dot
- Refresh Rate: Up to 120 Hz
- Processor: Quantum Processor 4K with AI upscaling
- HDR: Quantum HDR, HDR10+ support
- Operating System: Tizen Smart TV
- Connectivity: Wi-Fi, Bluetooth, 4 × HDMI, USB
- Audio Output: 20 W speakers



SAMSUNG 55Q70D

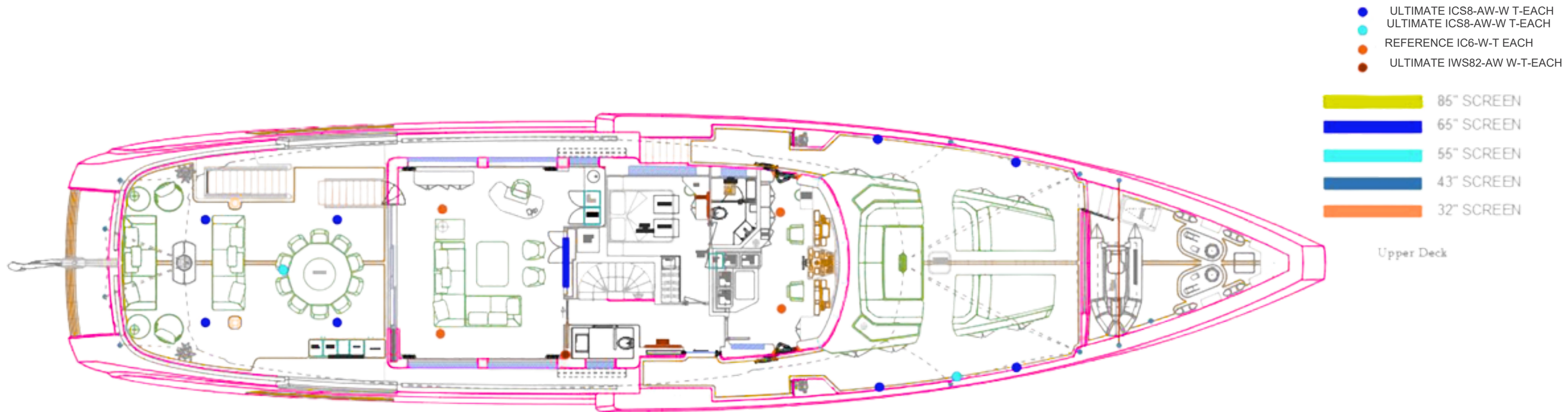
- Screen Size: 55 inch (≈138–140 cm)
- Resolution: 4K Ultra HD (3840 × 2160)
- Display Technology: QLED (Quantum Dot)
- Operating System: Tizen Smart TV
- Connectivity: Wi-Fi, Bluetooth, 4 × HDMI, USB
- Audio Output: 20 W speakers

NB 117 ENTERTAINMENT SYSTEMS SPEAKER LAYOUT-SUN DECK

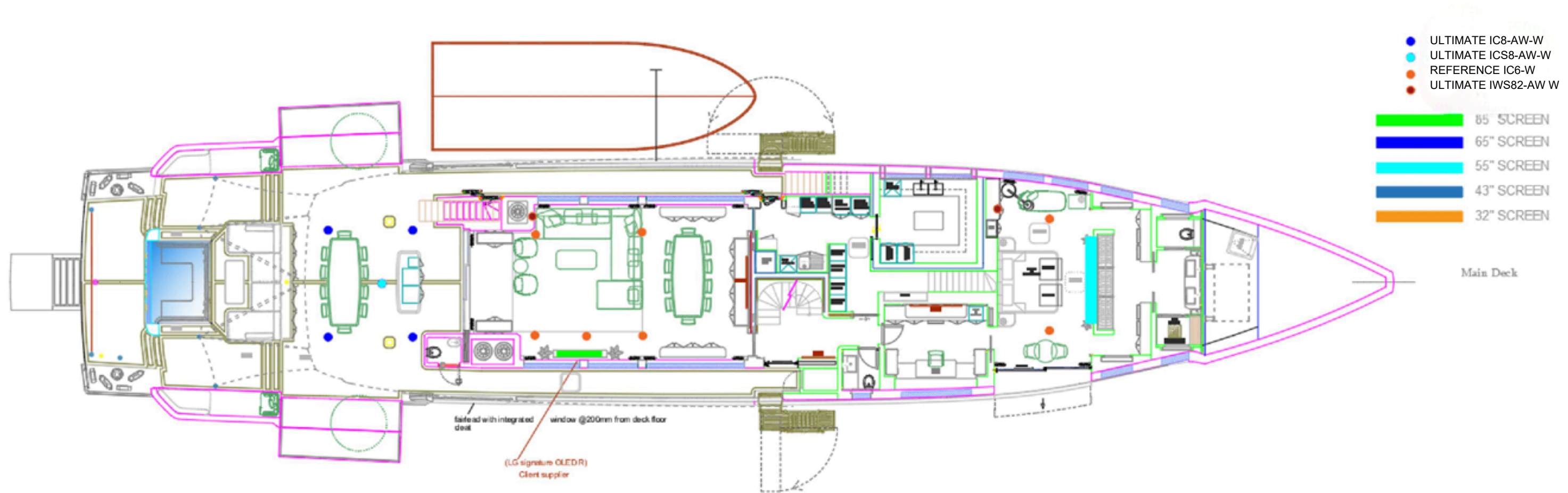


- ULTIMATE ICS8-AW-
- ULTIMATE ICS8-AW-W
- REFERENCE IC6-W
- ULTIMATE IWS82-AW

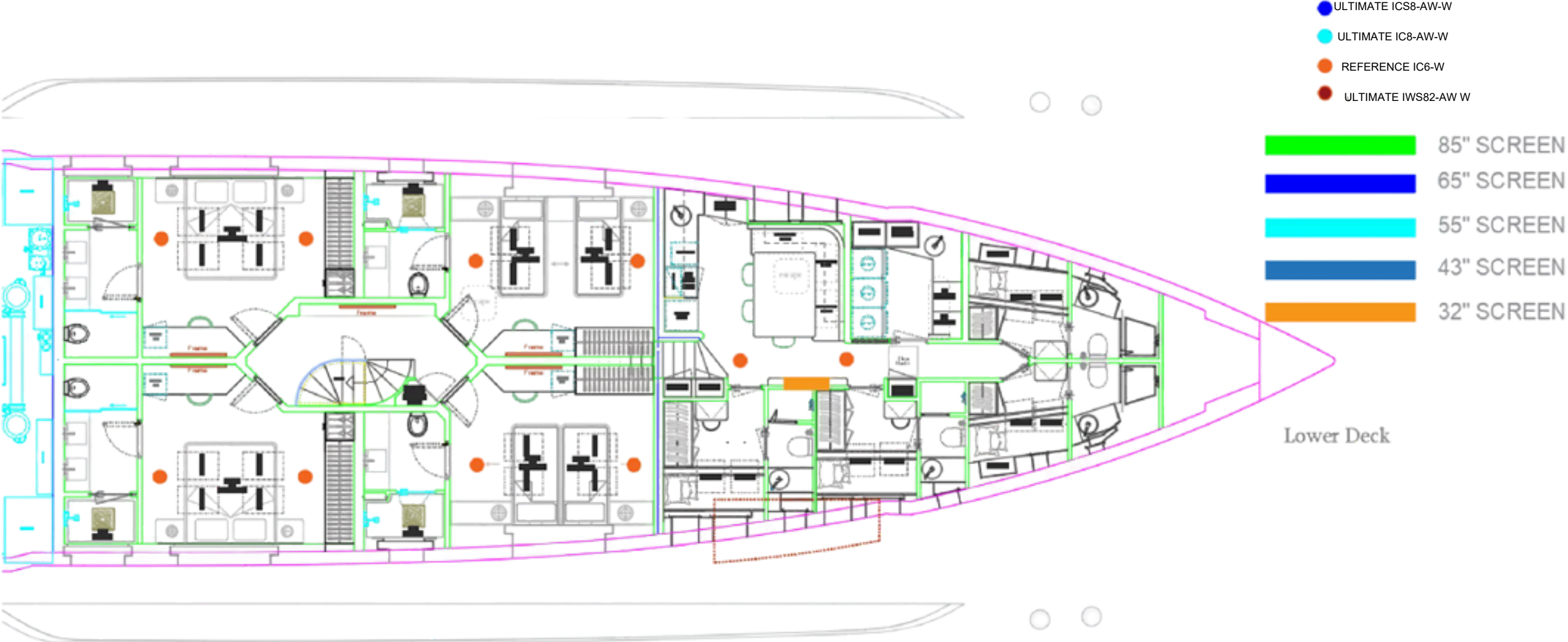
NB 117 ENTERTAINMENT SYSTEMS SPEAKER LAYOUT-UPPER DECK



NB 117 ENTERTAINMENT SYSTEMS SPEAKER LAYOUT-MAIN DECK



NB 117 ENTERTAINMENT SYSTEMS SPEAKER LAYOUT-LOWER DECK



NB 117 ENTERTAINMENT SYSTEMS

EQUIPMENTS-NETWORK & GSM ANTENNA



Peplink - MAX-BRI-PRO-5GN-T PRM

- 1× 5G modem
- Dual SIM support
- Wi-Fi 6 (2.4 GHz / 5 GHz)
- 2×2 MU-MIMO
- 1 Gbps router throughput
- 1× Ethernet WAN (can also function as LAN)
- 2× Gigabit LAN ports
- 4× 5G/LTE antennas
- 2× Wi-Fi antennas
- 1× GPS antenna
- VPN and SD-WAN support
- Built-in GPS
- Industrial metal enclosure



Peplink ANT-MR-40G-S-W-6

- Peplink ANT-MR-40G-S-W-6 is a maritime-grade external antenna designed for Peplink routers to provide stable 5G/LTE connectivity and GPS positioning in mobile environments such as boats and vehicles. Antenna Type: 5G / LTE Maritime
- Antenna MIMO: 4×4 MIMO
- Elements: 4× LTE/5G + 1× GPS
- Frequency Range: 410 – 6000 MHz
- Connector: SMA Male
- Cable Length: 2 m
- Protection: IP68
- Operating Temperature: -40°C to 80°C
-
-
-



STARLINK FLAT HIGH PERFORMANCE KIT

- Starlink Flat High Performance Kit is a satellite internet system designed for high-performance connectivity in mobile and harsh environments such as vehicles, boats, and enterprise networks.
- Antenna Type: Electronic Phased Array
- Field of View: 140°
- Environmental Rating: IP56
- Operating Temperature: -30°C to 50°C
- Wind Resistance: up to 280 km/h
- Average Power Consumption: 110–150 W
- Weight: 5.9 kg
- Mount: Wedge Mount included
-



Ruijie RG-NBS3100-24GT4SFP-P

- RG-NBS3100-24GT4SFP-P is a cloud-managed Layer 2 Gigabit PoE switch designed for enterprise networks such as offices, hotels, and surveillance systems.
- Ports: 24 × 10/100/1000 Mbps PoE+ Ethernet
- Uplink: 4 × 1G SFP ports
- PoE Standard: IEEE 802.3af / 802.3at
- PoE Power Budget: 370 W
- Switching Capacity: 56 Gbps
- MAC Address Table: 8K
- Management: Web, Ruijie Cloud
- Operating Temperature: 0°C – 50°C

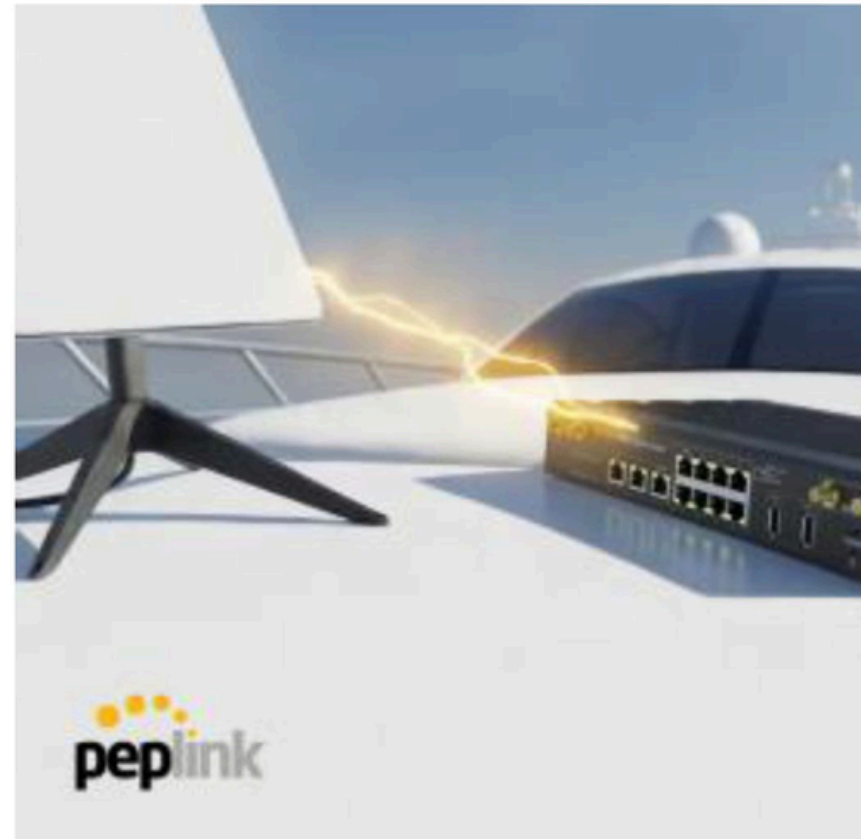


RUIJIE RG-NBS3100-24GT4SFP

- RG-NBS3100-24GT4SFP is a cloud-managed Layer 2 Gigabit switch designed for enterprise networks such as offices, hotels, and surveillance systems.
- Ports: 24 × 10/100/1000 Mbps Ethernet
- Uplink: 4 × 1G SFP ports
- Switching Capacity: 56 Gbps
- Forwarding Rate: ~41 Mpps
- MAC Address Table: 8K
- Maximum VLANs: 4094
- Management: Web, Ruijie Cloud
- Operating Temperature: 0°C – 50°C

NB 117 ENTERTAINMENT SYSTEMS

STARLINK ANTENNA



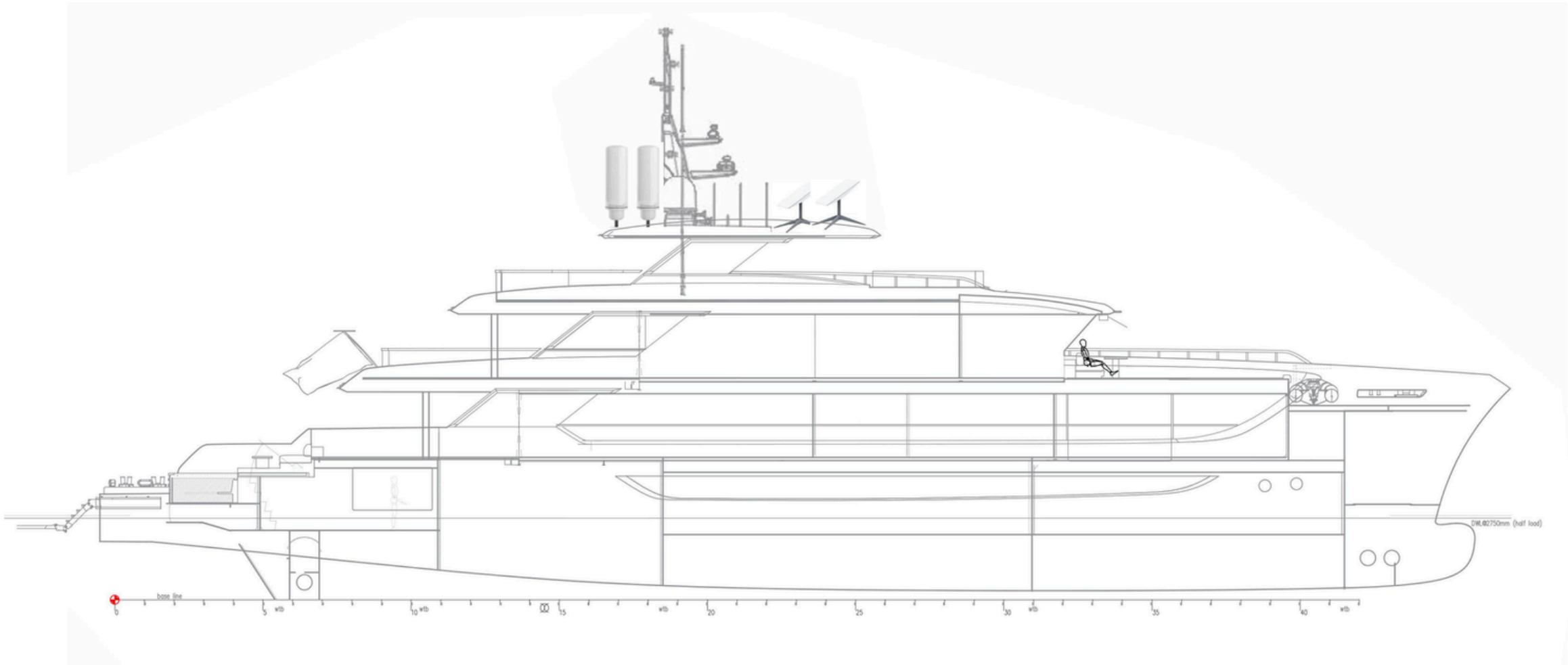
STARLINK Antenna

Antenna Electronic Phased Array
Field of View 110 ° Orientation
Software Assisted Manual Orienting
Weight 2.9 kg (6.4 lb), 3.2 kg (7 lb)
with Kickstand Environmental Rating
IP67 Type 4 Operating Temperature -
30°C to 50°C (-22°F to 122°F) Wind
Speed Operational: 96 kph+ (60
mph+) Snow Melt Capability Up to 40
mm / hour (1.5 in / hour) Power
Consumption Average: 75 - 100 W
Product Dimensions 43.4 x 298.6 x
120.4 mm (1.7 in x 11.76 in x 4.74 in)
Wi-Fi Technology 802.11
a/b/g/n/ac/ax Generation Wi-Fi 6
Radio Tri Band 4 x 4 MU-MIMO
Ethernet Ports Two (2) Latching
Ethernet LAN ports with removable
cover Coverage Up to 297 m² (3,200
ft²) Operating Temperature -30°C to
50°C (-22°F to 122°F)



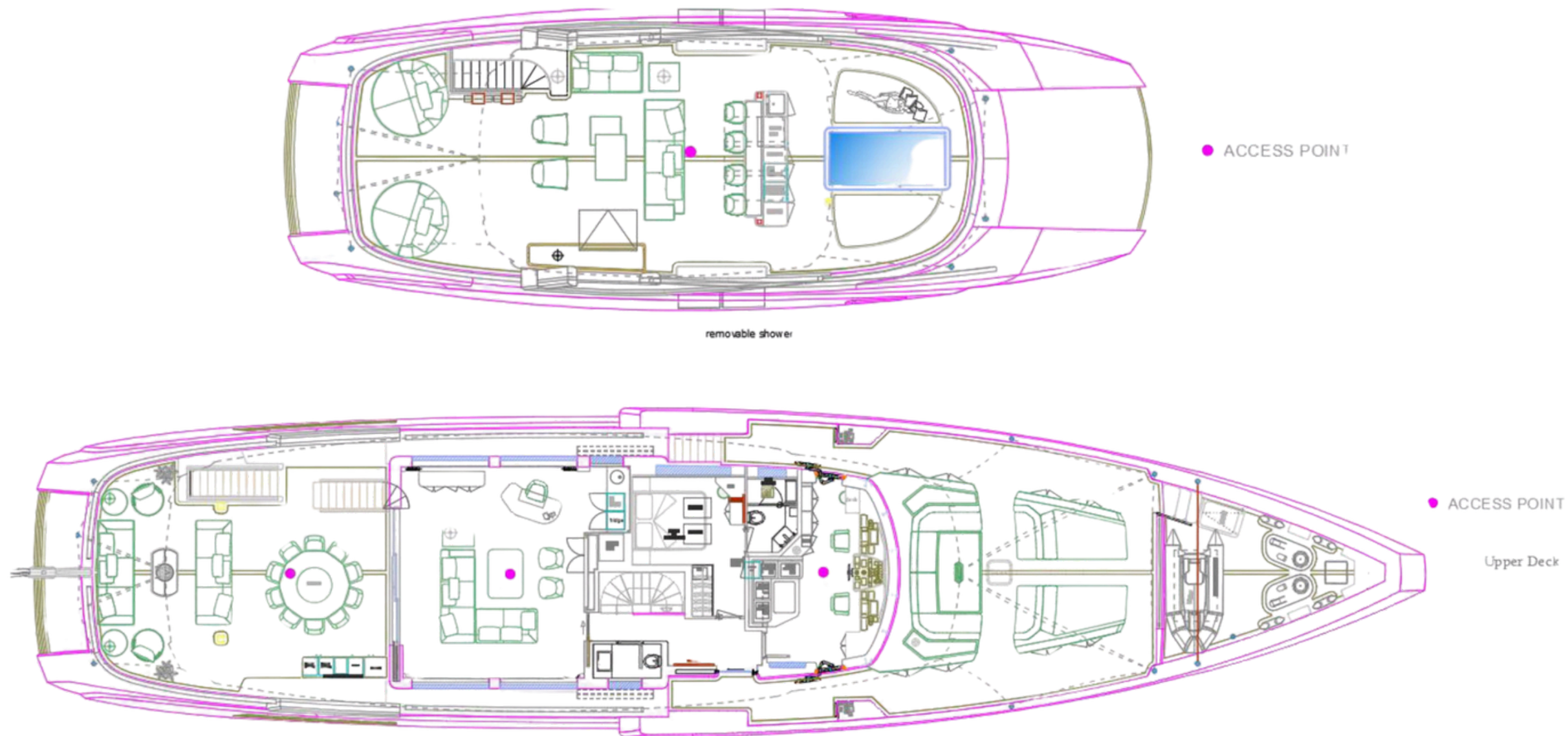
NB 117 ENTERTAINMENT SYSTEMS

STARLINK & GSM ANTENNA



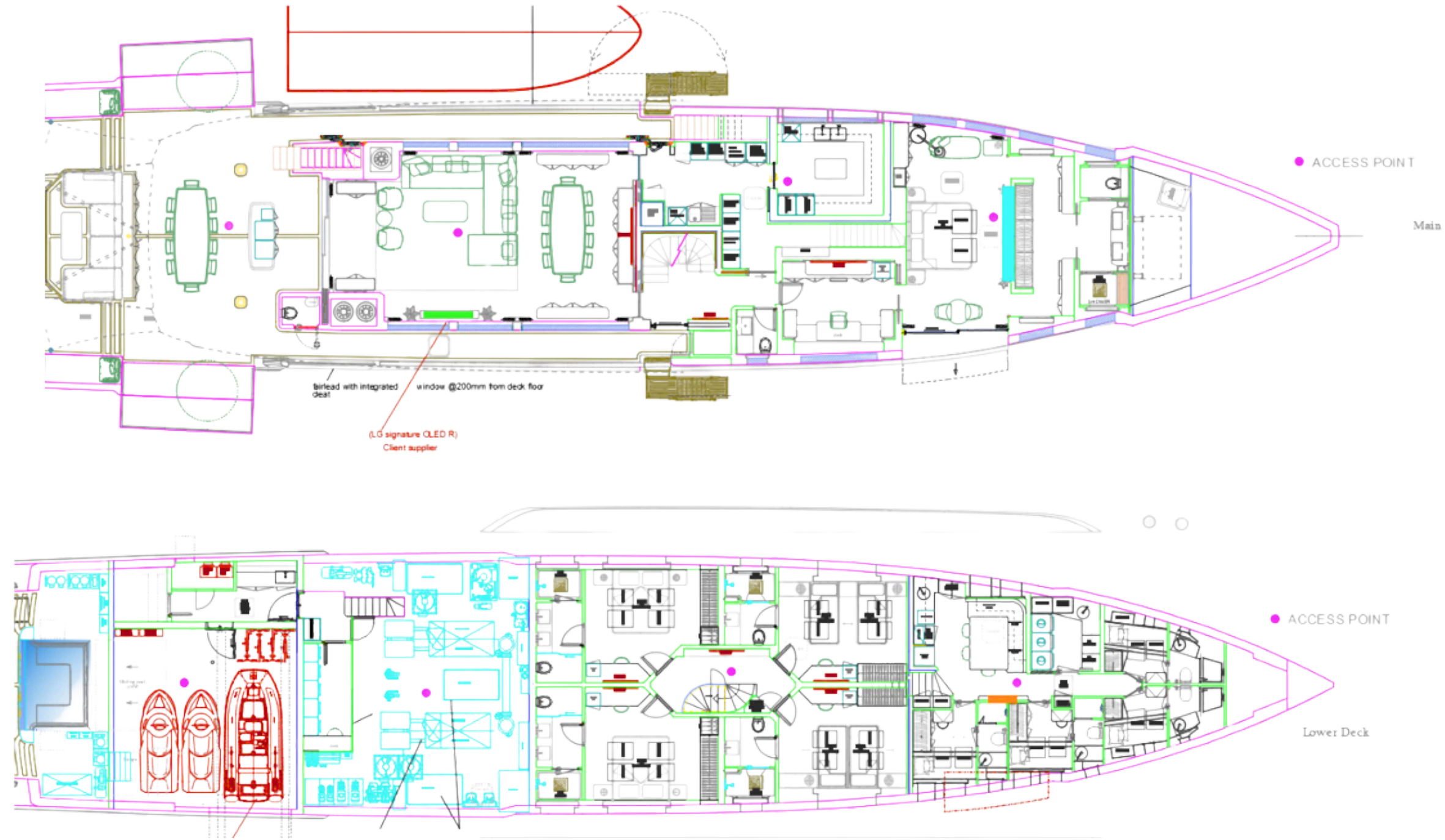
NB 117 ENTERTAINMENT SYSTEMS

NETWORK LAYOUT- SUN & UPPER DECK



NB 117 ENTERTAINMENT SYSTEMS

CCTV LAYOUT-MAIN DECK & LOWER DECK



NB 117 ENTERTAINMENT SYSTEMS

EQUIPMENTS-CCTV



**DAHUA- IPC-HDBW4231FP
AS-0280B**

- IPC-HDBW4231FP is a 2MP IR mini dome network camera designed for professional surveillance with high image quality and intelligent video features.
- Resolution: 2MP (1920×1080)
- Image Sensor: 1/2.8" Progressive Scan Exmor CMOS
- Video Compression: H.265 / H.264
- Frame Rate: 50/60fps @ 1080p
- Lens: 2.8 mm fixed (3.6 mm / 6 mm optional)
- IR Distance: Up to 20 m
- Features: WDR (120 dB), Day/Night (ICR), 3DNR, AWB, AGC, BLC
- Storage: Micro SD support
- Protection: IP67, IK10
- Power: PoE



**Massive MARINE AL -
Vision AI**

- Vision AI is an AI-based marine collision-prevention system that provides real-time monitoring, 360° awareness, and risk prediction for safer vessel navigation. Function: Collision prevention system Coverage: 360° situational awareness Technology: AI-based object detection Purpose: Navigation safety and risk prediction



DAHUA- NVR5232-4KS2

- Birkaç satır gövde metni ekleNVR5232-4KS2 is a 32-channel 4K network video recorder (NVR) designed for professional surveillance systems with high-capacity recording and intelligent video analytics.
- Channels: 32 IP cameras
- Compression: Smart H.265+ / H.265 / Smart H.264+ / H.264 / MJPEG
- Max Resolution: Up to 12 MP
- Incoming Bandwidth: 320 Mbps
- Decoding: 16 channels @ 1080p
- Video Output: 1 HDMI, 1 VGA
- Storage: 2 × SATA HDD (up to 10 TB each)
- Network: 1 × RJ-45 Gigabit Ethernet
- Features: Face detection, people counting, heat map, perimeter protection, ANPR support



Dahua - NKB1000

- NKB1000 is a professional network keyboard controller designed to manage surveillance systems such as NVRs, PTZ cameras, and video management platforms.
- Control: PTZ camera control with joystick
- Connectivity: Network (IP) control
- Compatibility: Dahua NVR, DVR and VMS systems
- Interfaces: USB, RJ45 network port
- Application: Security monitoring and camera management systems

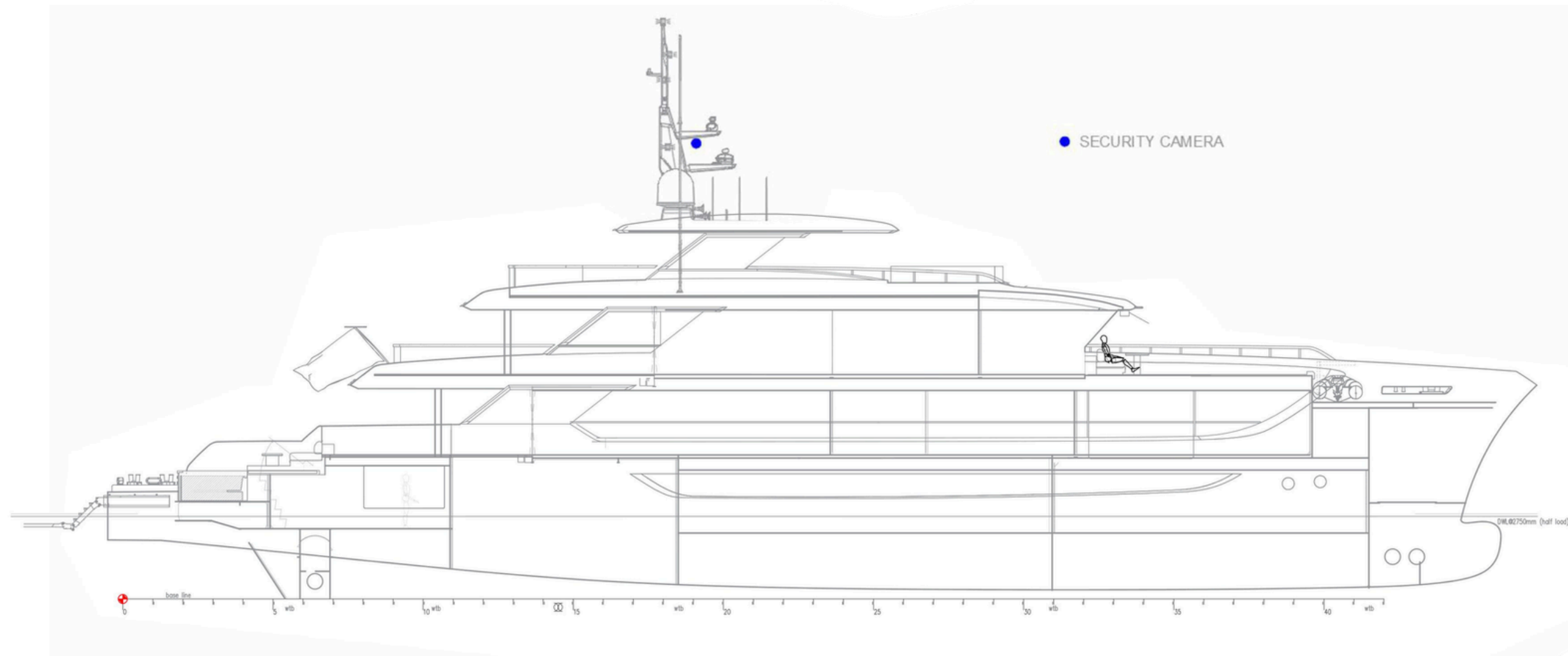


Mini PC

- Mini PC is a compact desktop computer designed for office tasks, monitoring systems, and control applications.
- Processor: Intel Celeron J4005
- Memory: 8 GB RAM
- Storage: 64 GB SSD
- Operating System: Windows 10 Pro
- Connectivity: Ethernet, Wi-Fi, Bluetooth
- Ports: USB, HDMI, DisplayPort

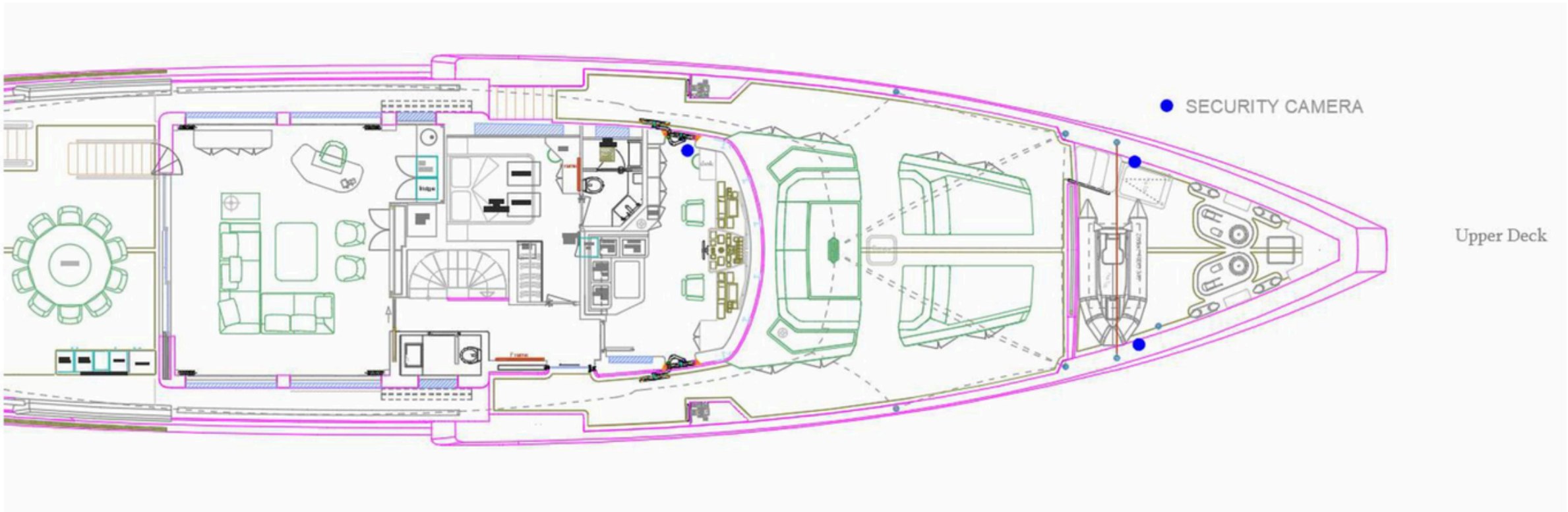
NB 117 ENTERTAINMENT SYSTEMS

CCTV LAYOUT- GENERAL



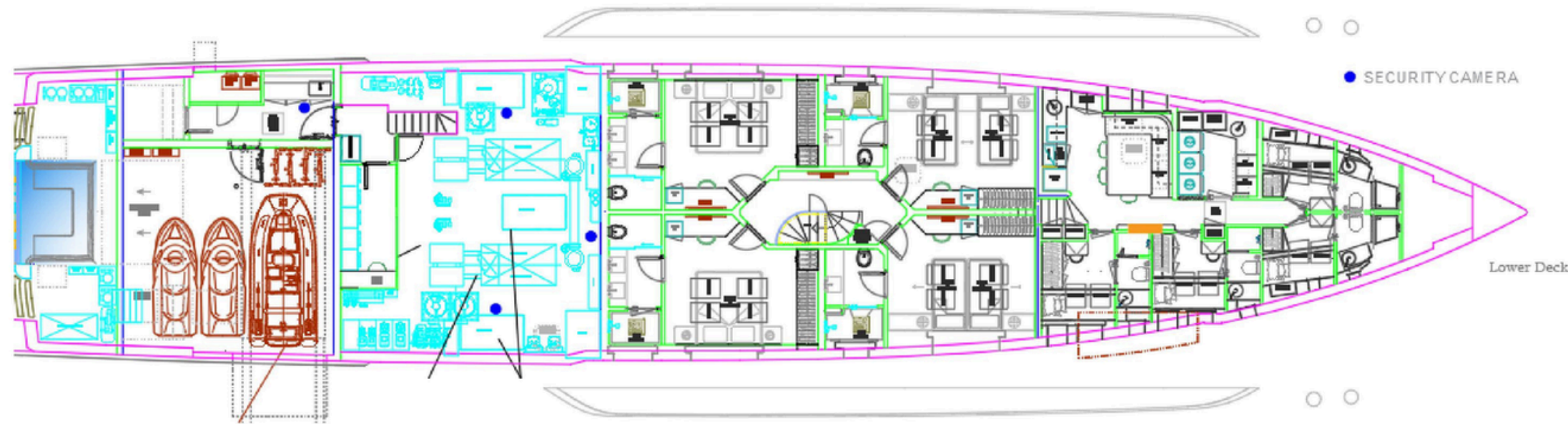
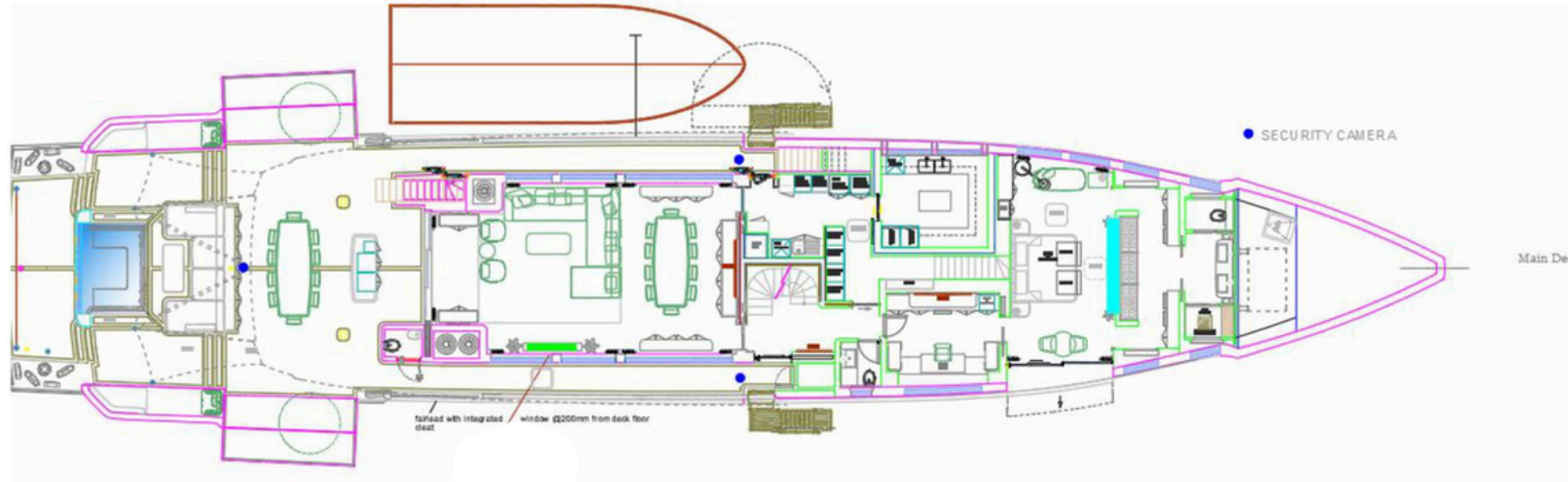
NB 117 ENTERTAINMENT SYSTEMS

CCTV LAYOUT -SUN DECK & UPPER DECK



NB 117 ENTERTAINMENT SYSTEMS

CCTV LAYOUT- MAIN DECK & LOWER DECK



NB 117 ENTERTAINMENT SYSTEMS

EQUIPMENTS-IP



GRANDSTREAM - GS-UCM6302

- UCM6302 is an IP PBX communication system designed for businesses to manage voice, video, and conferencing services on a unified platform.
- Users: Supports up to 1000 users
- Concurrent Calls: Up to 150 simultaneous calls
- Provisioning: Zero-configuration for Grandstream SIP endpoints
- Conference: Built-in meeting and conferencing platform (desktop, Wave app, SIP endpoints)
- Wave App: Supports Android, iOS, Chrome, and Firefox browsers
- Integration: API available for third-party systems such as CRM and PMS
- Security: Secure boot, unique certificates, and random default passwords
- Network Ports: 3 x Gigabit RJ45 (with integrated PoE+ and NAT router support)
- Connectivity: Automatic NAT firewall traversal for secure remote connections
- Codecs: Opus audio codec; H.264 / H.263 / H.263+ / H.265 / VP8 video codecs
- Management: GDMS cloud provisioning and monitoring
- System: Based on Asterisk version 16 open-source telephony platform



GRANDSTREAM - GS-HT818

- The HT818 is a powerful 8-port VoIP gateway with 8 FXS ports and an integrated Gigabit NAT router. Built for users looking for a strong analog-to-VoIP converter
- Supports 2 SIP profiles and 8 FXS ports
- Strong AES encryption with security certificate per unit
- Automated & secure provisioning options using TR069
- 3-way voice conferencing per port
- Exceptional voice quality with wide-band HD codec
- Supports T.38 Fax for reliable Fax-over-IP
- Supports dual Gigabit network ports
- High performance NAT router



GRANDSTREAM-WP820

- WP820 is a portable Wi-Fi IP phone designed for enterprise environments such as offices, warehouses, retail stores, and hotels, providing mobile VoIP communication with high-quality audio and wireless connectivity.
- Wi-Fi: Dual-band 802.11 a/b/g/n (2.4 GHz & 5 GHz)
- Bluetooth: Built-in for headsets and mobile devices
- Battery: 1500 mAh rechargeable battery
- Talk Time: Up to 7.5 hours
- Standby Time: Up to 150 hours
- Accounts: 2 SIP accounts, 2 lines
- Audio: HD voice with dual microphones and noise reduction
- Ports: Micro-USB charging port and 3.5 mm headset jack
- Display: 2.4" color LCD

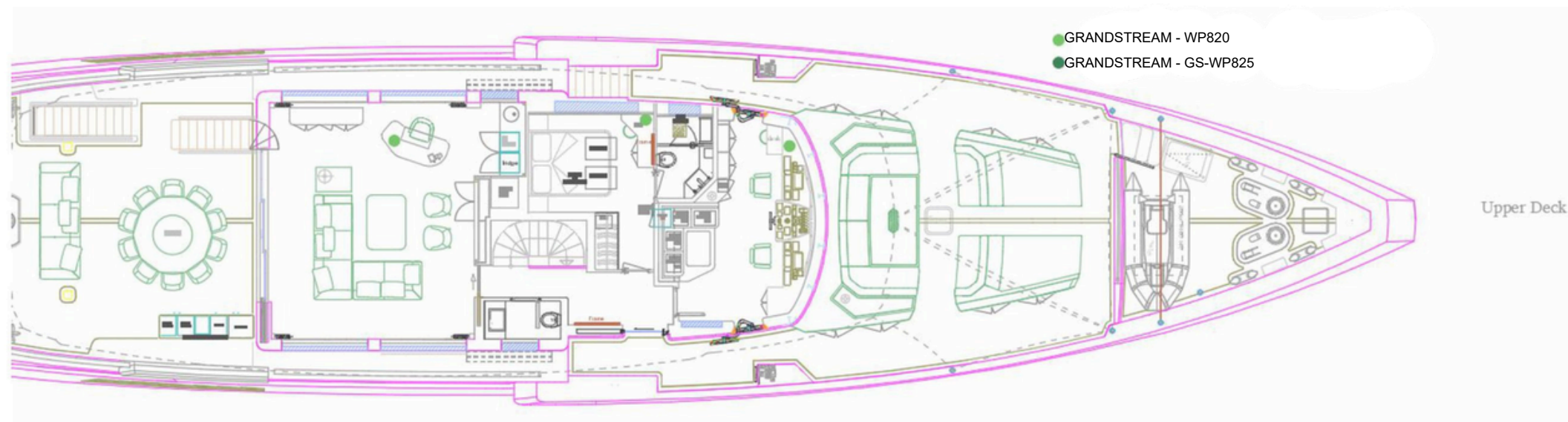
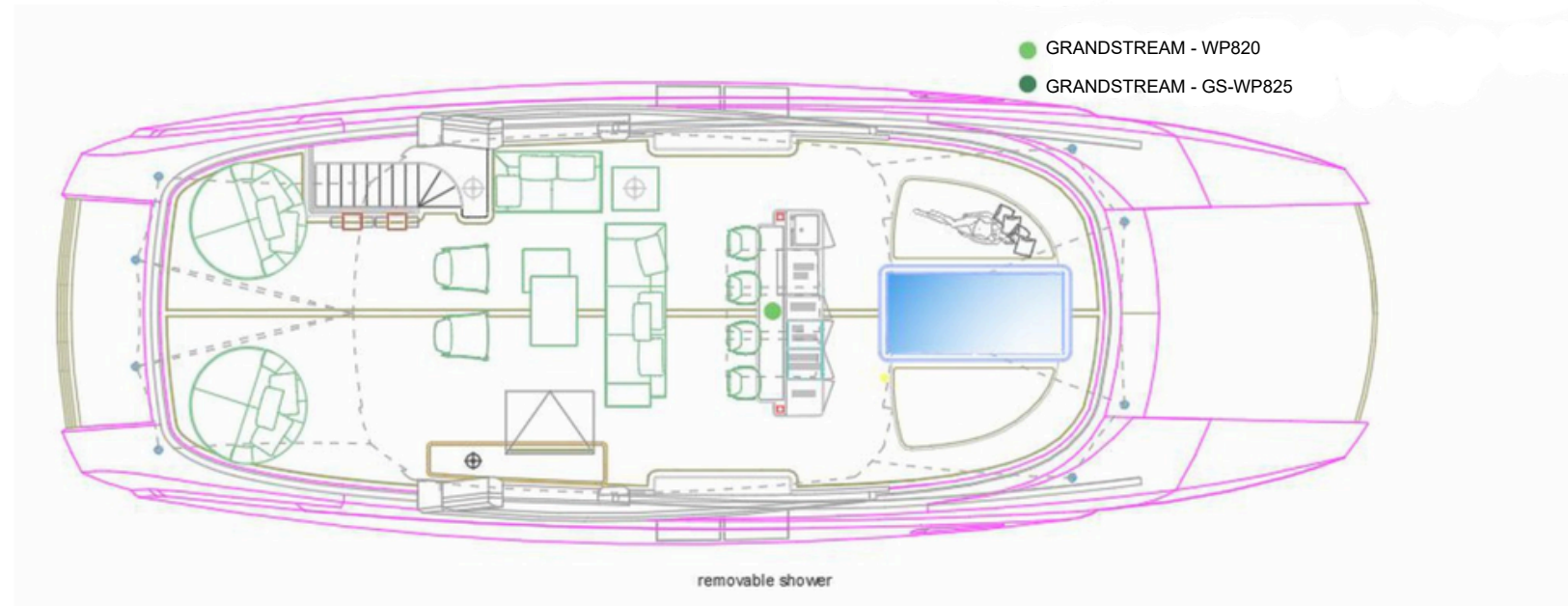


GRANDSTREAM- GS-WP825

- Dual-band Wi-Fi with efficient antenna design and advanced roaming support
- 2 SIP accounts, 2 lines HD voice & dual MIC design with AEC and Noise Shield Technology
- Rechargeable 2000mAh battery, 8 hour talk time, 200-hour standby
- Integrated Bluetooth to connect headsets
- Configurable button for push-to-talk
- Micro USB port and 3.5mm headset jack
- Ruggedized design. Waterproof, dustproof, and drop safe from 2.5m

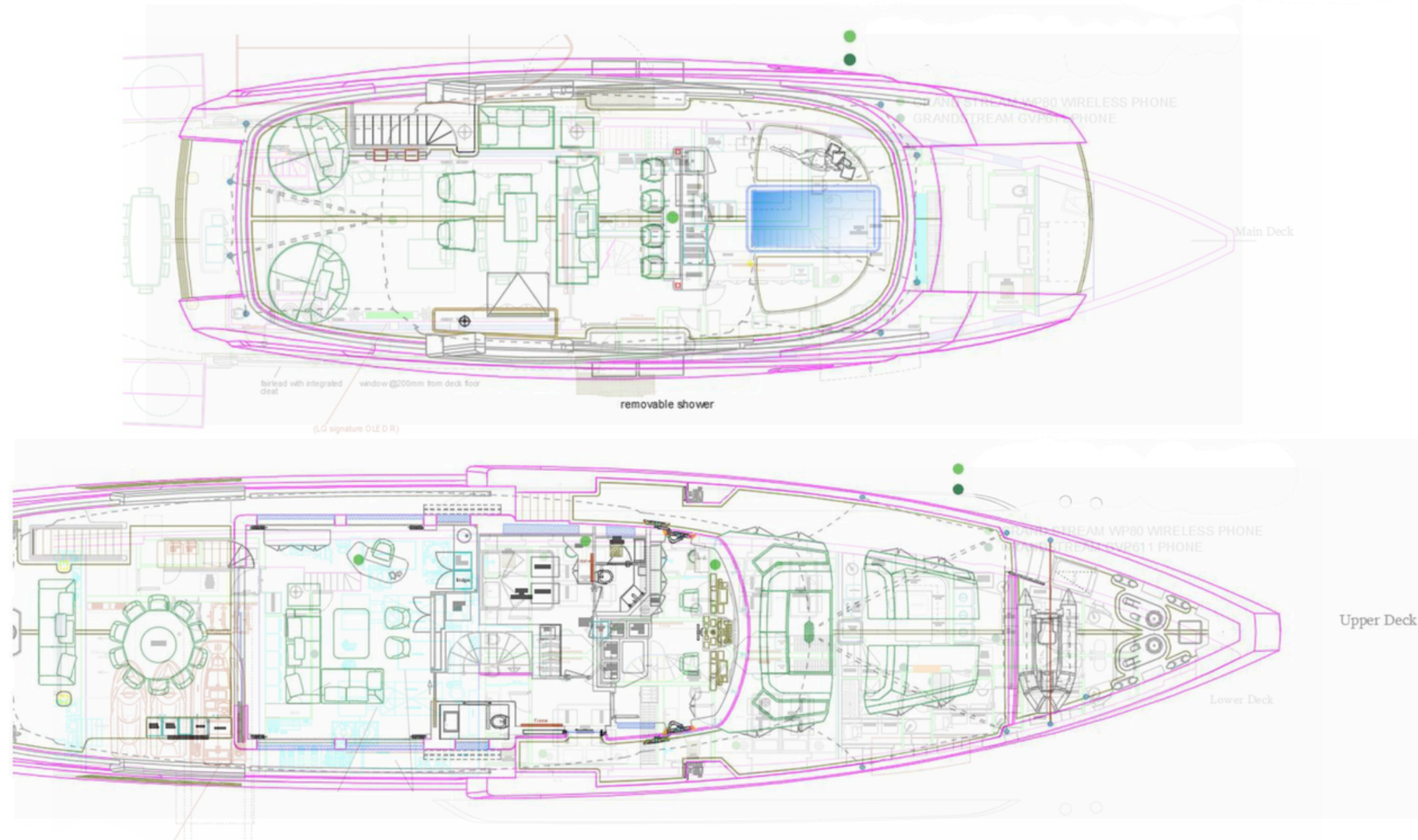
NB 117 ENTERTAINMENT SYSTEMS

IP TELEPHONE LAYOUT- SUN DECK & UPPER DECK



NB 117 ENTERTAINMENT SYSTEMS

IP TELEPHONE LAYOUT- MAIN DECK & UPPER DECK



NB 117 ENTERTAINMENT SYSTEMS

Automation System Central Equipment



Crestron - DIN-AP4

- 4-Series™ control system with 1 GB SDRAM and 8 GB flash memory
- Embedded 4-Series multicore CPU processor
- iPhone®, iPad®, and Android™ device control app support
- XPanel computer and web based control
- Modular programming architecture
- Onboard IR/serial, COM, I/O, relay, Cresnet® network, and Ethernet control ports
- High-speed USB 2.0 host port and memory card slot
- Crestron Fusion® software room monitoring and scheduling
- XiO Cloud® service provisioning and management
- Enterprise-class network security and authentication
- SNMP V3 remote IT management support
- Native BACnet network/IP support
- Installer setup via software, web browser, or cloud
- IPv6 ready
- Integrates with Apple® HomeKit® technology
- Powered via 24 VDC power pack or PoE (Power over Ethernet)
- 9M wide DIN rail mountable



CRESTRON-DIN-2MC2

- Dual-channel bidirectional motor control
- Supports 120 to 240 Volt 50/60 Hz
- Override input
- Cresnet® communications
- Setup via front panel or software
- Programmable functionality via DIN-AP2
- 6M wide DIN rail mounting



CRESTRON-DIN-8SW8-I

- 8 channels of power switching 8 voltage driven
- isolated digital inputs 120 to 240VAC, 50/60 Hz operation
- Override input Cresnet® wired communications
- Setup via front panel or software
- Programmable functionality using a Crestron® Control System 9M wide DIN rail mounting



Crestron - DIN-DLI

- Interfaces with one independent DALI® loop
- DALI-2™ certified
- Supports DT0, DT1, DT2, DT3, DT4, DT5, DT6, DT7, and DT8 Tc DALI Devices
- Controls up to 64 DALI devices
- Ethernet or Cresnet® wired communication
- Power using Cresnet network or PoE for single-wire installation
- Provides DALI loop power1 for communication
- Commissioned through Web UI for easy setup
- Fast color temperature control through Scene
- Approximation
- Override input
- Link-local direct connection to a PC for commissioning when powered via Cresnet
- 3M wide DIN rail mounting
- Works with the Crestron Home® OS
- Test wiring and perform driver replacement
- without a computer

NB 117 ENTERTAINMENT SYSTEMS

Automation System Central Equipment



Crestron - CGDMX-512BI

- The DMX Interface has two separate DMX Ports, one DMX Out to send data to the DMX lighting products and one DMX In to receive data from e.g. DMX512 lighting consoles or other DMX512 control units. The CGDMX-512BI can operate in different modes, to process the incoming DMX512 data with the Crestron data like HTP1, LTP2 and exclusive3 handling. The Crestron media processor is able to change these modes, too. Furthermore the Crestron media processor can set the HTP, LTP and exclusive handling for each channel separately.



CEN-ODT-C-POE

- Ceiling-mount occupancy sensor
- Dual-technology motion detection
- 360 degree coverage pattern
- 2,000 sq ft coverage area
- Discreet, low-profile appearance
- Accurate and reliable motion sensing
- Crestron XiO Cloud™ service integration
- Enterprise-grade security
- Enhances the functionality of AV, lighting, and building management systems
- Communicates via Power-over-Ethernet (PoE)



Crestron - GLS-OIRLCL-C-CN

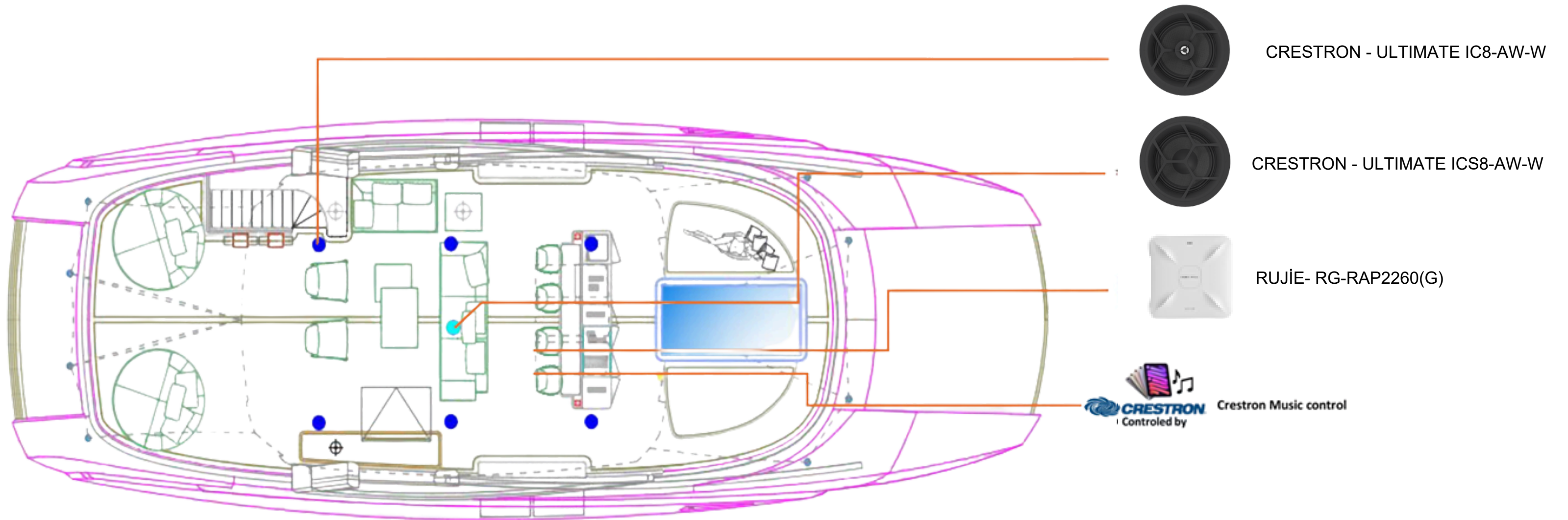
- Flush ceiling mount occupancy or vacancy sensor
- Passive infrared (PIR) motion detection
- Fully digital circuitry, highly accurate and reliable performance
- 450 sq ft (42 sq m) rectangular detection pattern
- Vacancy-only mode with grace occupancy
- Adjustable sensitivity and timeout
- Short timeout "walk-through" mode
- Built-in closed-loop photosensor for daylight harvesting
- Monitors ambient light level from natural and artificial light sources
- Enables automation of lighting, shading, HVAC, and AV equipment
- Reduces wasteful energy consumption
- Maintains consistent lighting levels
- Crestron XiO Cloud™ service integration
- Miniaturized construction for a nearly hidden appearance
- IP64 dust-proof and splash-proof
- Cresnet® wired control system interface
- 24VDC powered via Cresnet network
- Color-coded flying lead connections
- Easy setup via software or IR remote (sold separately)
- Installs quickly in a 1 in. (25 mm) diameter hole
- Optional MMK-RS pre-construction mounting kit (sold separately) allows for simplified rough-in for wiring and positioning, as well as an option to completely flush mount the sensor

NB 117 ENTERTAINMENT SYSTEMS

ROOM LAYOUTS

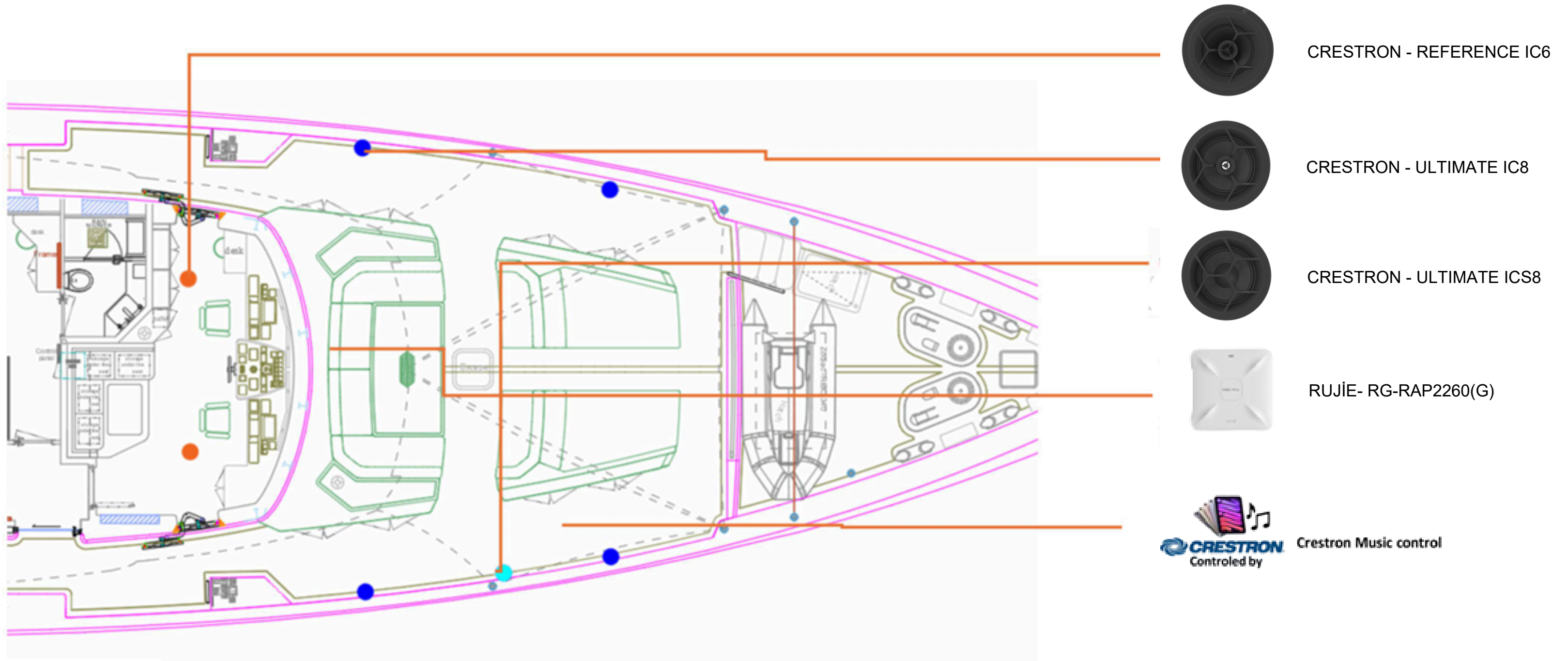
NB 117 ENTERTAINMENT SYSTEMS

SUN DECK

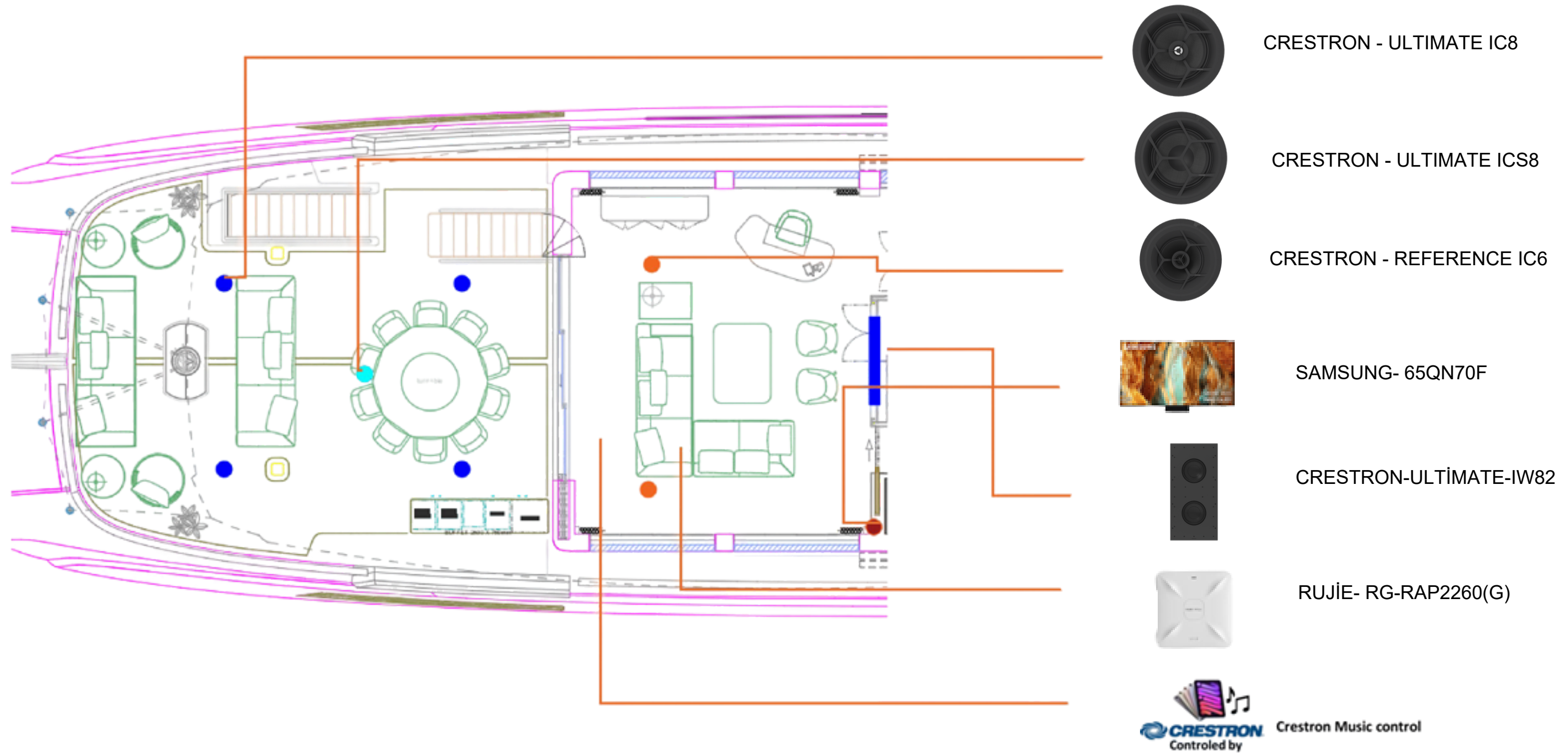


NB 117 ENTERTAINMENT SYSTEMS

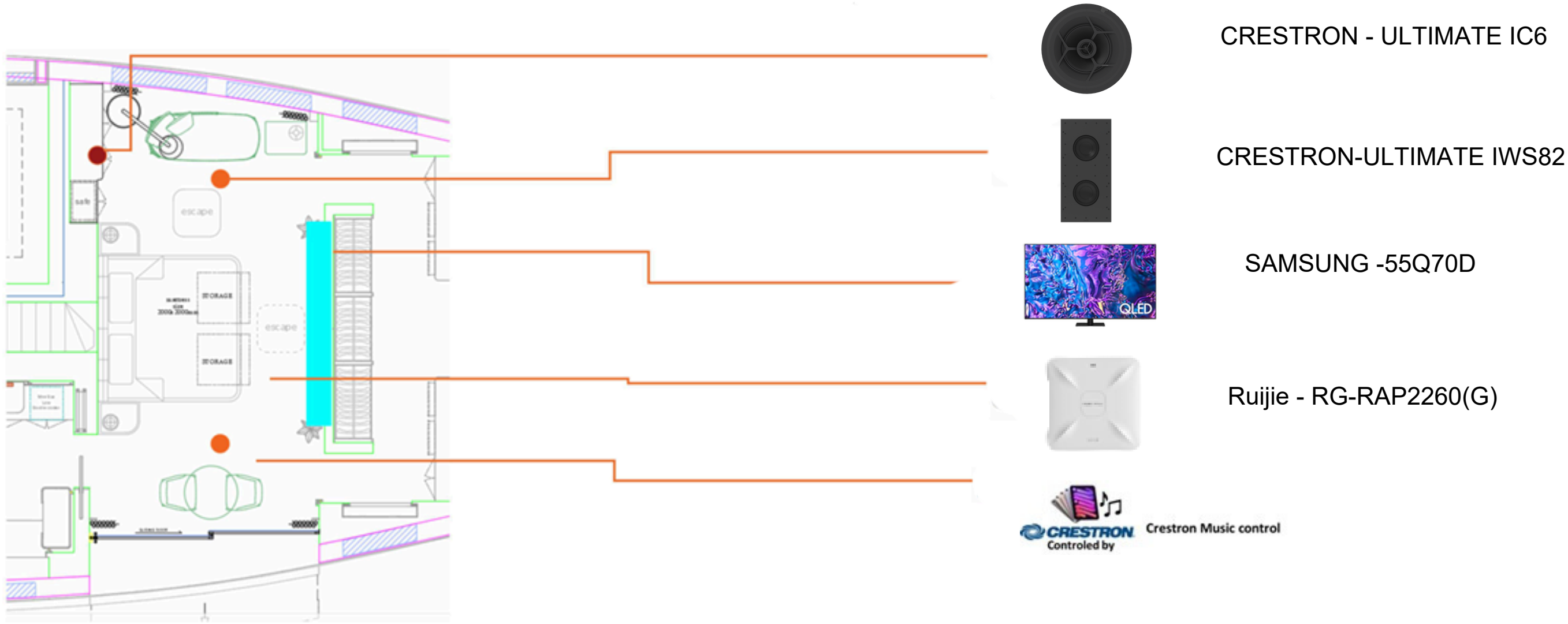
UPPER DECK- WHEEL HOUSE & FRONT DECK



NB 117 ENTERTAINMENT SYSTEMS UPPER DECK-SKY LOUNGE & AFT DECK

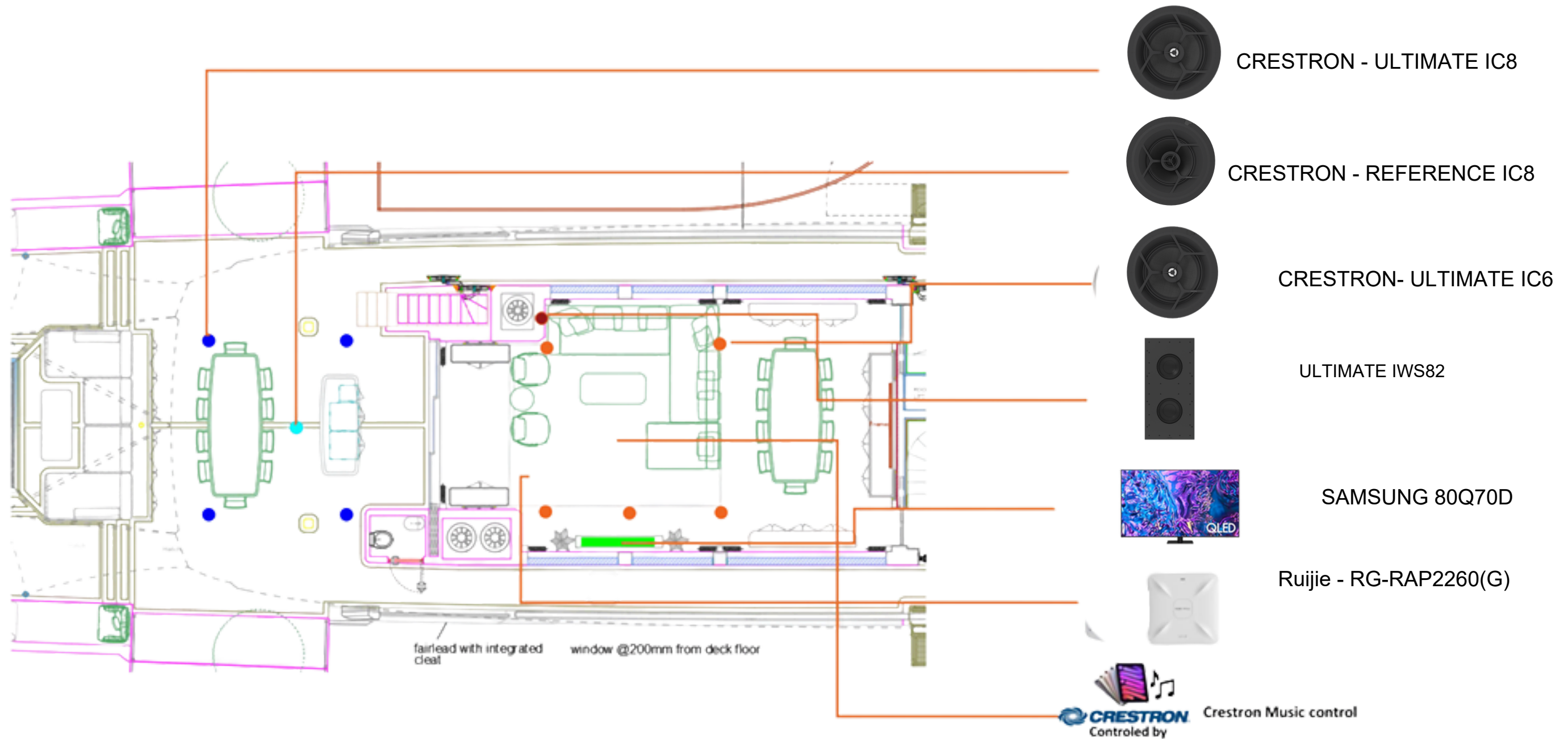


NB 117 ENTERTAINMENT SYSTEMS MAIN DECK- MASTER CABIN



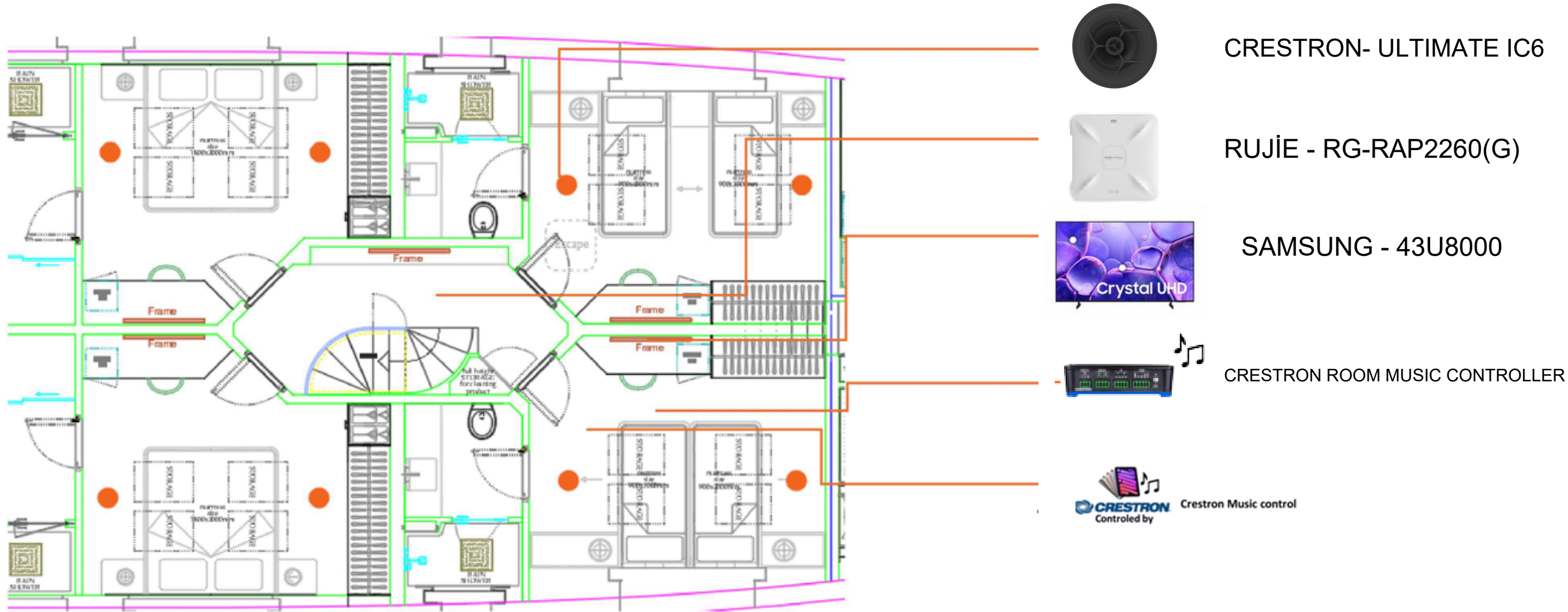
NB 117 ENTERTAINMENT SYSTEMS

MAIN DECK- MAIN SALON & AFT DECK

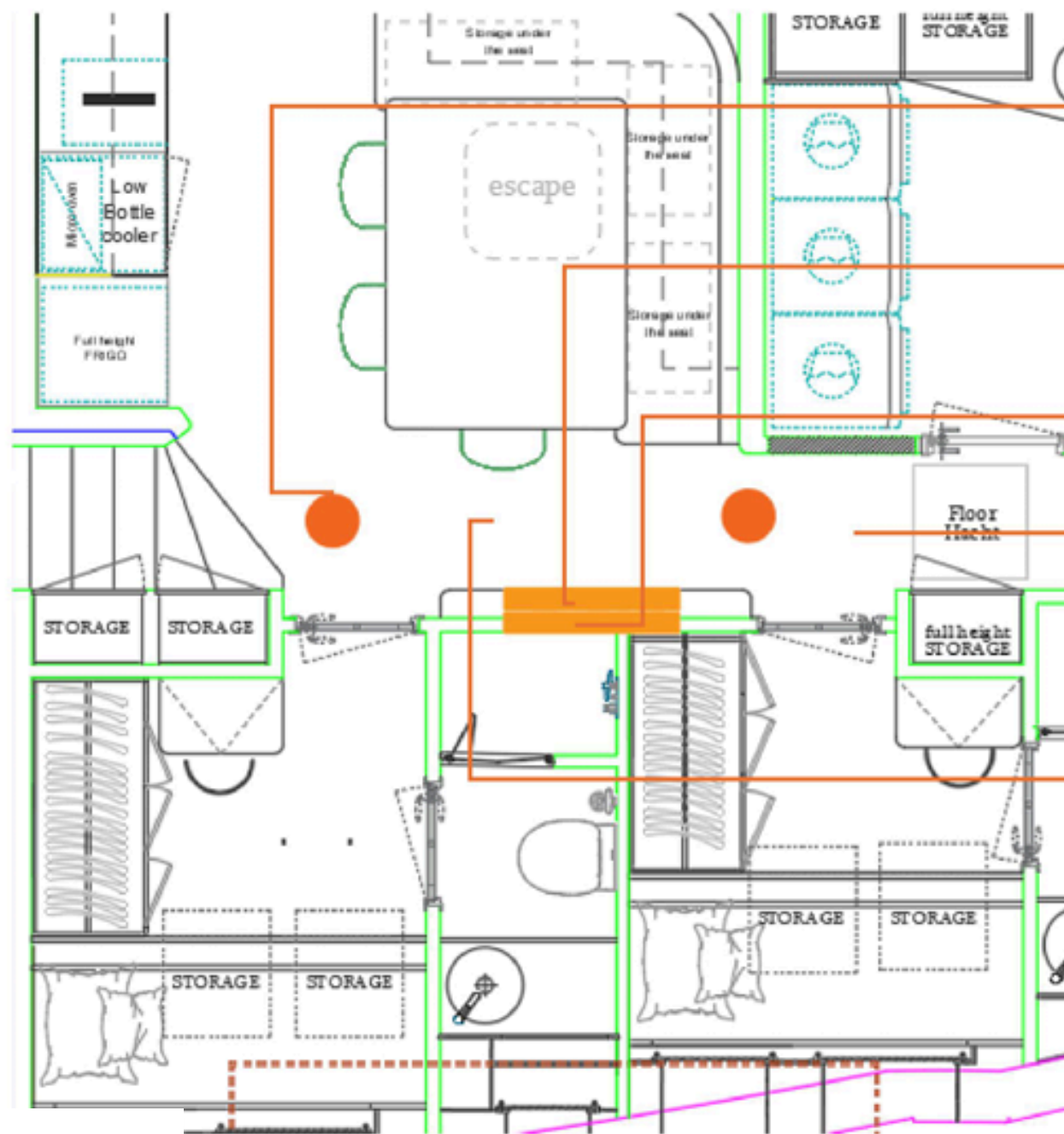


NB 117 ENTERTAINMENT SYSTEMS

LOWER DECK- GUEST CABIN



NB 117 ENTERTAINMENT SYSTEMS LOWER DECK- CREW



CRESTRON - REFERENCE IC6



TCL-32S5K



TCL-32S5K



RUJIE- RG-RAP2260(G)



Crestron Music control

NB 117 ENTERTAINMENT SYSTEMS

AV CENTRAL RACK



CRESTRON- CP4

- 4-Series™ control system with 2 GB SDRAM and 8 GB flash memory
- Embedded multicore CPU processor
- Supports iPhone®, iPad®, and Android™ control apps
- XPanel computer and web-based control
- Modular programming architecture
- Built-in IR/Serial, COM, I/O, relay, Cresnet®, and Gigabit Ethernet ports
- USB 2.0 host port and rear memory card slot
- Supports Crestron Fusion® for room monitoring and scheduling
- XiO Cloud® management support
- Enterprise-grade security and SNMP v3 remote IT management
- BACnet/IP support and IPv6 compatible
- Apple® HomeKit® integration
- Rack-mountable design.



Crestron - DSP-1281

- Engineered to deliver exceptional pro audio performance with faster, easier implementation
- Ready to go out of the box and extensively configurable Hybrid channel strip architecture
- Customizable inputs and outputs Eight internal aux buses Clean and intuitive software Real-time configuration and adjustment Work offline or live via Ethernet or USB Native Crestron system integration for rapid programming [1]
- Highest-quality converters, preamps, and line amps
- Twelve mic/line inputs with 66 dB gain range Eight +24 dB balanced line outputs
- 32x32 Dante™ audio network interface AES67 compatible[2]
- Front panel VU meters
- Internal universal power supply
- Single-space 19" rack mountable



Crestron - DM-NAX-8ZSA

- Audio-over-IP (AoIP) amplifier, puts Crestron® multiroom distributed audio on the network Robust, high-efficiency, audiophile grade amplification Built-in streaming services support 2 RU form factor, low power consumption, cool-running operation Built-in chime support Voice control support for Crestron Home® OS 150 Watts/Ch. @ 8 Ohms or 300 Watts/Ch. @ 4 Ohms, with zones bridgeable up to 500 Watts/Ch. Provides eight amplified stereo zone (16-channel) outputs Four stereo line-level outputs mirror speaker zone outputs 1-4 Output Bussing — enables linked operation of multiple adjacent zones Connects directly to a managed network to route to or from other DM NAX and DM NVX® devices Interoperable with Dante® networked audio devices via AES67 compatibility Includes 4 stereo unbalanced analog RCA and 4 SPDIF (2 TOSLINK® and 2 Coaxial) audio inputs Full DSP capabilities Individual zone power control and global standby Streamlined setup and adjustment via the device's web interface Seamless Crestron system integration with Crestron Home and SIMPL programming

NB 117 ENTERTAINMENT SYSTEMS

AV CENTRAL RACK



Crestron - AMPI-8150

- High-efficiency eight-channel amplifier Robust and reliable performance Professional sound quality 150 watts per channel @ 4/8 Ohms Each channel configurable for Lo-Z or Hi-Z operation Model AMP-8150 supports 100-120V AC line power and 4/8Ω or 70V output Model AMPI-8150 supports 220-240V AC line power and 4/8Ω or 100V output Mono, stereo, and bridged modes Comprehensive fault and speaker protection per channel Extensive front panel status indicators and output meters High-speed Ethernet LAN connectivity Software configuration, control, and monitoring Crestron® control system integration support Crestron Fusion® enterprise management support [1]
- Rear panel +24 dBu balanced inputs and level adjustments
- Detachable terminal block connectors for easy servicing
- Single-space 19" rack mountable
- High-density stackable without extra vent spacing



MARANTZ - CINEMA40/N1SG

- CINEMA40 / N1SG is a premium 9.4-channel network AV receiver designed for high-end home theater systems, delivering powerful surround sound, advanced video support, and integrated streaming capabilities.
- Channels: 9.4-channel amplification (up to 11.4 processing)
- Power Output: 125 W per channel (8 Ω)
- Audio Formats: Dolby Atmos, DTS:X, Auro-3D, IMAX Enhanced
- Video Support: 8K/60 Hz and 4K/120 Hz
- HDMI pass-through
- HDMI Ports: 7 inputs / 3 outputs (eARC supported)
- Streaming: HEOS Built-in, AirPlay 2, Bluetooth, Spotify Connect
- Room Calibration: Audyssey MultEQ
- XT32, optional Dirac Live
- Connectivity: Wi-Fi, Ethernet, voice assistant support (Alexa, Google, Siri)



Crestron - AMP-X300

- 1RU surface or rack-mountable power amplifier
- Half-rack width form factor, gangable with other next generation half-rack width form factor products using the RMK-AMP-X mounting kit (sold separately)
- Configurable for either LoZ (4/8 Ω) or Hi-Z (70V or 100V) operation
- Configurable for 4 x up to 75 W output, 2 x up to 150 W output, 1 x up to 300 W (bridged) output, and 2 x up to 75 W + 1 x up to 150 W (bridged) output
- Low noise, low distortion, and high headroom
- Comprehensive fault and speaker protection
- Captive speaker connectors for secure and robust connectivity
- Balanced and unbalanced inputs
- Standby feature instantly turns on amplifier when input sensing circuitry detects an audio signal
- Always On feature allows constant on connection with very low power consumption
- Remote standby feature allows for instant on/off control over amplifier outputs via a simple contact closure input
- Front panel power/standby, fault, and signal/clip indicators
- Internal universal 100-240V power supply

NB 117 ENTERTAINMENT SYSTEMS

EQUIPMENTS- KEYPAD



Crestron - HZ2-KPCN-W

- 1-gang EU/UK-style electrical box installation using the included metal backplate (glass and metal models require [HZ2-KPCN-WMKT-EU/UK-10](#), sold separately)
- Horizon® 2 faceplate (1-gang model [HZ2-FP-G](#) series) included with textured models (not included with glass or metal models)
- Multigang installation using Horizon® 2 multi-gang faceplates ([HZ2-FP-G](#) series, sold separately)
- Preinstalled five single button assembly (Style 1) with default engraving or can be configured with six different button assemblies with custom engraving
- Multicolor RGB LEDs provide backlighting for engraved buttons
- White LED backlighting is available and can be dynamically set anywhere between 2000K and 8000K
- Replacement button assemblies available in six styles to accommodate changes in device function or engravings
- Textured blank button assemblies available for engraving by a third-party
- Ambient light sensor for auto-dimming with separate day and night backlight modes
- Fully programmable via a Crestron control system
- Crestron Home® OS compatible
- Dual Cresnet® ports for easy daisy-chaining
- Two control input ports for external sensors
- Available in textured, glass, and metal finishes



Crestron - HZ2-BTNS-1-W BLANK

- Replacement button assembly for Horizon® 2 dimmers, switches, and keypads
- Button Options
- Six different button configurations available
- Engraving
- Available blank or with custom engraving
- Backlighting
- Engraved buttons can be backlit by the device
- Installation
- Field-replaceable without removing the device from the wall
- Finish Options
- Available in textured, glass, and metal finishes



Crestron - HZ2-FP-G1-W

- Faceplate (1-gang wall plate)
- System
- Crestron Horizon® 2 devices (keypads, dimmers, switches)
- Function
- Provides a finished and aesthetic appearance for installed devices
- Compatibility
- Designed for all Horizon 2 series devices
- Gang Size
- 1-gang (single device)
- Design
- Seamless alignment with keypad button surfaces
- Finish
- White textured finish
- Also available in glass and metal finishes
- Installation
- Mounts on standard electrical wall box
- Additional Features
- Precision fit and clean edge-to-edge design
- Supports multi-gang configurations (up to 4 devices side-by-side)
- Important Note
- Does not function alone, used as a cover/accessory for devices